

General Features

Cable ties and accessories are important in the harnessing of cable in an application, or for securing cable from one application to another at a distance. Our cable ties can be fixed to the PCB, chassis, or even to a wall in order to harness cable at any application level. We have different colors, materials, sizes and mounting types available. A full supporting cast of accessories, bases, marker ties and holders are available. Cable tie options include push-in arrowhead mount, screw mount, hook and loop, releasable, marker and heavy duty.

Typical Applications

- Automotive - Cable harnesses
- Office Equipment - Secures trailing power cables
- Security
- Brown Goods/Consumer Electronics - Audio and video equipment
- White Goods - Washing machines, ovens

Custom Options

Materials

Richco's cable ties are offered in a variety of materials. Popular cable ties are available in most materials as standard. Other sizes and types may be available by special order with a minimum order quantity (MOQ). Contact your local Richco office to discuss your requirements.

Material	Flammability Rating	RoHS Compliance	RMS
Nylon 6/6	V2	Yes	01
Nylon 6/6	V0	Yes	75
UVB Nylon 6/6	V2	Yes	46
Nylon 4/6	V2	Yes	109
Nylon 6/6	V2	Yes	47

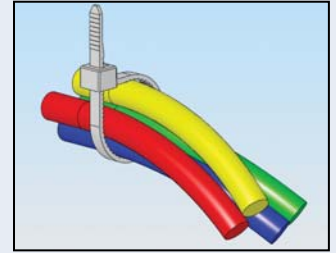
Special Packaging

Richco cable ties come standard packed in either bags of 100 or 1,000 pieces. If you require products to be packed in different quantities please contact your local Richco office and this can be discussed as a special order. An MOQ may apply.

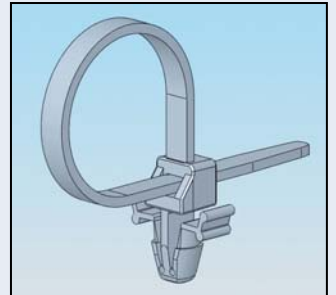
Color

Cable ties can be molded in a variety of colors; green, blue, red, and black are standard. We can also color match if given a Pantone or RAL color number. Because of the specific level of moisture necessary for proper application and performance, Richco does not Rit-dye cable ties.

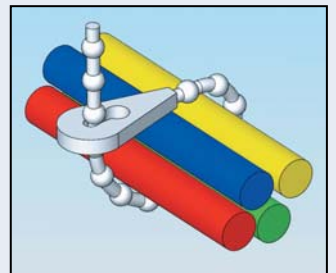
Introduction



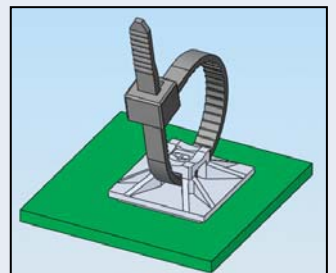
Standard Wrap-It Ties



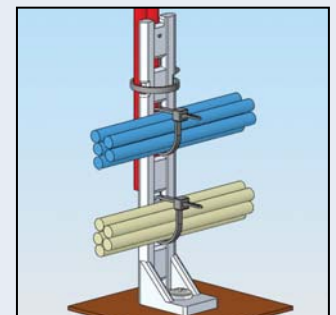
Arrowhead Wrap-It Ties



Releasable Ties



Tie Holders



Tie Holders

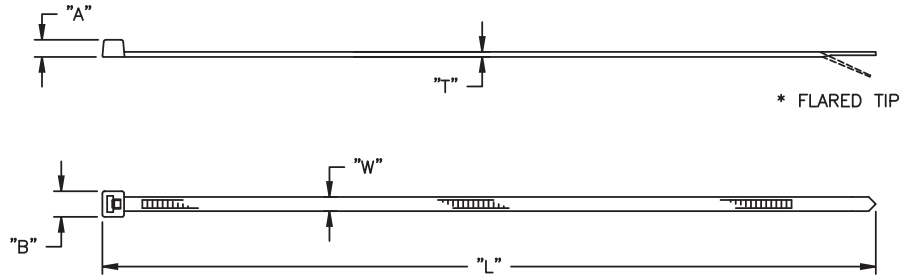
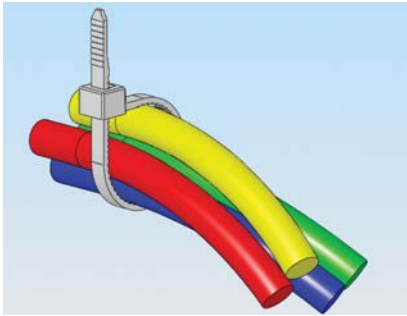


CABLE TIES & ACCESSORIES

WIT
Wrap-It Ties



• WIT-18, WIT-30, WIT-50, AND WIT-120 are UL Registered under UL#E71558



Features

- Easy to use permanent lock
- Strong, one-piece construction
- Serviceable to 185°F (85°C)
- UVB material is for outdoor applications

Part Number Example			
Part No. Prefix	Material	Std. Pack Suffix	Complete Part No.
WIT-40S	Standard is Nylon 6/6, no material portion is needed in the part number	-M	WIT-40S-M
WIT-18R	-UVB	-C	WIT-18R-UVB-C
WIT-30L	-V0	-M	WIT-30L-V0-M

Part No. Prefix	Min. Loop Tensile Strength lb (kg)	"L" Length Ref.	Max. Bundle Diameter	"W" Width Ref.	"T" Thickness Ref.	"A" Head Thickness	"B" Head Width	Material Variations		Standard Package Suffix					
								UVB Nylon 6/6, RMS-46 Color: Black*	UL94 V0 Nylon 6/6, RMS-75A Color: White	Standard Package Quantities					
								-UVB	-V0	-L	-C	-D	-M		
WIT-18 Series															
WIT-18SF*	18 (8)	3.25 (82.6)	.63 (15.9)	.10 (2.5)	.04 (1)	.15 (3.8)	.19 (4.8)	Standard	Special	N/A	100	N/A	1,000		
WIT-18R*		4.52 (114.8)	.75 (19.1)						Standard						
WIT-18L*		5.75 (146.1)	1.38 (35.1)						N/A						
WIT-18V*		8.00 (203.2)	2.13 (54.1)												
WIT-18X*		15.50 (393.7)	4.50 (114.3)												
WIT-30 Series															
WIT-30S	30 (13)	4.50 (114.3)	.75 (19.1)	.14 (3.6)	.05 (1.3)	.17 (4.3)	.25 (6.4)	Standard	Special	N/A	100	N/A	1,000		
WIT-30R		5.75 (146.1)	1.25 (31.8)						Standard						
WIT-30L		7.56 (192)	1.88 (47.8)						N/A						
WIT-30XL		8.06 (204.7)	2.00 (50.8)												
WIT-30VL*		11.16 (283.4)	3.19 (81)												
WIT-40 Series															
WIT-40S	40 (18)	4.50 (114.3)	.75 (19.1)	.14 (3.6)	.05 (1.3)	.17 (4.3)	.25 (6.4)	Standard	Special	N/A	100	N/A	1,000		
WIT-40R		5.75 (146.1)	1.25 (31.8)						N/A						
WIT-40L		7.56 (192)	1.88 (47.8)												
WIT-40XL		8.06 (204.7)	2.00 (50.8)												
WIT-40VL*		11.16 (283.4)	3.19 (81)												
WIT-50 Series															
WIT-50S	50 (22)	6.00 (152.4)	1.50 (38.1)	.19 (4.8)	.05 (1.3)	.21 (5.3)	.31 (7.9)	Standard	Special	N/A	100	N/A	1,000		
WIT-50R		8.00 (203.2)	2.00 (50.8)						Standard						
WIT-50L		15.40 (391.2)	4.50 (114.3)						N/A						
WIT-60 Series															
WIT-60R	60 (27)	10.75 (273.1)	2.75 (69.9)	.18 (4.6)	.05 (1.3)	.20 (5.1)	.32 (8.1)	Standard	Standard	N/A	100	N/A	1,000		
WIT-70 Series															
WIT-70S	70 (31)	24.00 (609.6)	7.31 (185.7)	.19 (4.8)	.08 (2)	.20 (5.1)	.36 (9.1)	Standard	Special	N/A	100	N/A	N/A		
WIT-70R		30.00 (762)	9.12 (231.6)						N/A						
WIT-70L		36.00 (914.4)	11.00 (279.4)												
WIT-120 Series															
WIT-120S	120 (54)	8.50 (215.9)	2.00 (50.8)	.30 (7.6)	.07 (1.8)	.29 (7.4)	.51 (13)	Standard	Special	N/A	100	500	N/A		
WIT-120R		15.06 (382.5)	4.25 (108)						N/A						
WIT-120L		21.25 (539.8)	6.37 (161.9)												
WIT-175 Series															
WIT-175S	175 (79)	15.00 (381)	4.18 (106.2)	.35 (8.9)	.08 (2)	.32 (8.1)	.55 (14)	N/A	N/A	N/A	50	100	N/A	N/A	
WIT-175R		23.00 (584)	6.75 (171.5)												
WIT-175L		33.00 (838.2)	9.75 (247.7)												
WIT-225 Series															
WIT-225R	225 (102)	19.63 (498.5)	5.12 (130.2)	.49 (12.4)	.08 (2)	.39 (9.9)	.76 (19.3)	Standard in RMS-49	N/A	50	N/A	N/A	N/A		
WIT-225L		33.50 (850.9)	9.84 (250)												

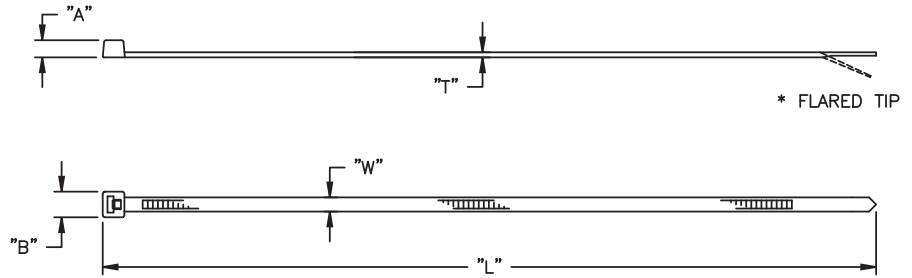
*Black Nylon 6/6 available by special order.

* Flared tip



CABLE TIES & ACCESSORIES

WIT in Colors Colored Wrap-It Ties



Features

- Can be used for color-coding applications or decorative purposes

Part Number Example			
Part No. Prefix	Color	Std. Pack Suffix	Complete Part No.
WIT-30R	-RD	-M	WIT-30R-M

Part No. Prefix	Min. Loop Tensile Strength lb (kg)	"L" Length Ref.	Max. Bundle Diameter	"W" Width Ref.	"T" Thickness Ref.	"A" Head Thickness	"B" Head Width	Green	Blue	Red	Standard Package Suffix
								Nylon 6/6, RMS-01	Nylon 6/6, RMS-01	Nylon 6/6, RMS-01	
								-GN	-BL	-RD	
WIT-18 Series											
WIT-18R*	18 (8)	4.52 (114.8)	.75 (19.1)	.10 (2.5)	.04 (1)	.15 (3.8)	.19 (4.8)	Standard	Standard	Standard	1,000
WIT-30 Series											
WIT-30R	30 (13)	5.75 (146.1)	1.25 (31.8)	.14 (3.6)	.05 (1.3)	.17 (4.3)	.25 (6.4)	Standard	Standard	Standard	1,000
WIT-50 Series											
WIT-50R	50 (22)	8.00 (203.2)	2.00 (50.8)	.19 (4.8)	.05 (1.3)	.21 (5.3)	.31 (7.9)	Standard	Standard	Standard	1,000

Other colors available by special order.

*Flared Tip

WIT-HT/WIT-HS High Temperature & Heat Stabilized Wrap-It Ties

Features

- HS series is serviceable to 239°F (115°C)
- HT series is serviceable to 286°F (141°C)

Part Number Example			
Part No. Prefix	Temperature	Std. Pack Suffix	Complete Part No.
WIT-18R	-HS	-C	WIT-18R-HS-C
WIT-30R	-HT	-M	WIT-30R-HT-M

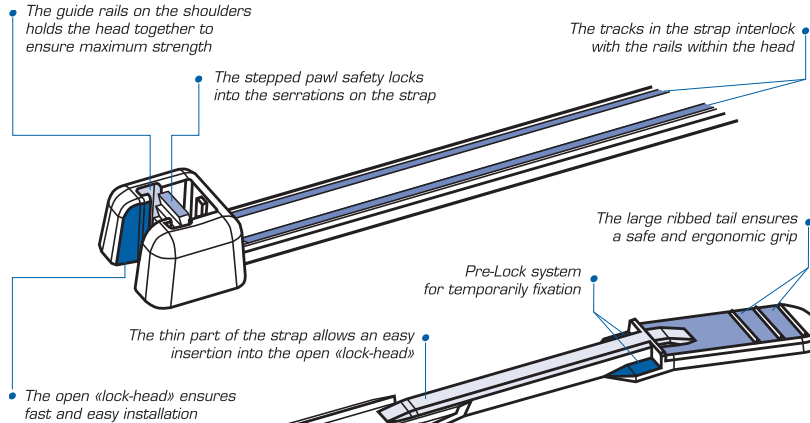
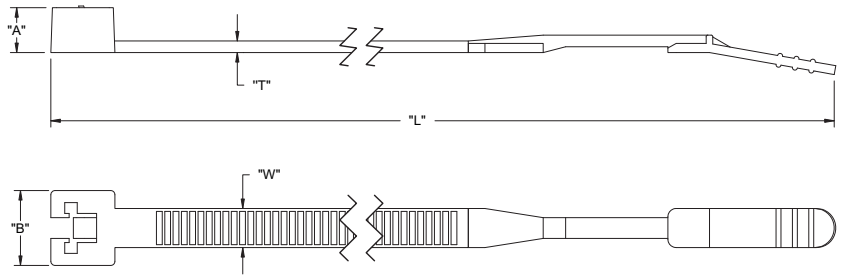
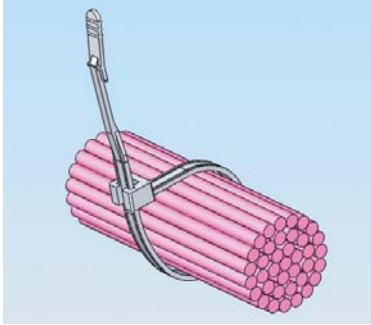
Part No. Prefix	Min. Loop Tensile Strength lb (kg)	"L" Length Ref.	Max. Bundle Diameter	"W" Width Ref.	"T" Thickness Ref.	"A" Head Thickness	"B" Head Width	High Temperature	Heat Stabilized	Standard Package Suffix		
								Nylon 4/6, RMS-109 Color: Natural	Nylon 6/6, RMS-47 Color: Black	Standard Pack Quantities		
								-HT	-HS	-C	-D	-M
WIT-18 Series												
WIT-18R*	18 (8)	4.52 (114.8)	.75 (19.1)	.10 (2.5)	.04 (1)	.15 (3.8)	.19 (4.8)	Standard	Standard	100	N/A	1,000
WIT-30 Series												
WIT-30R	30 (13)	5.75 (146.1)	1.25 (31.8)	.14 (3.6)	.05 (1.3)	.17 (4.3)	.25 (6.4)	Standard	Standard	100	N/A	1,000
WIT-50 Series												
WIT-50R	50 (22)	8.00 (203.2)	2.00 (50.8)	.19 (4.8)	.05 (1.3)	.21 (5.3)	.31 (7.9)	Standard	Standard	100	N/A	1,000
WIT-50L		15.40 (391.2)	4.50 (114.3)					N/A				
WIT-60 Series												
WIT-60R	60 (27)	10.75 (273.1)	2.75 (69.9)	.18 (4.6)	.05 (1.3)	.20 (5.1)	.32 (8.1)	Special Order	Standard	100	N/A	1,000
WIT-120 Series												
WIT-120R	120 (54)	15.06 (382.5)	4.25 (108)	.30 (7.6)	.07 (1.8)	.29 (7.4)	.51 (13)	N/A	Standard	100	500	N/A

*Flared Tip

CABLE TIES & ACCESSORIES

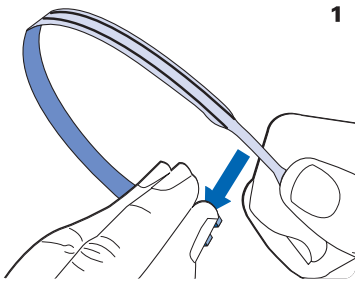
QTE Quick Tie

NEW



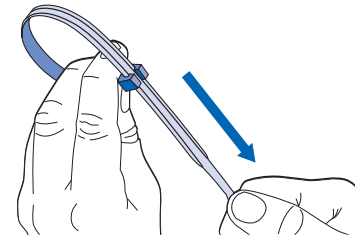
Installation Guide

1



While holding the large ribbed tail of the strap, the thin part of the strap is inserted into the gap of the "lock-head".

2



The strap is pulled through the «lock-head» and its serrations lock with the stepped pawl of the "lock-head".

Fig. 1



No Pre-Lock Feature

Fig. 2



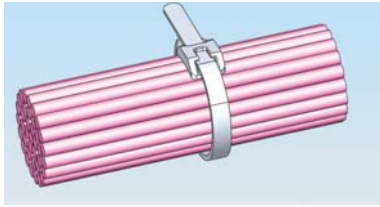
At Pre-Lock Position

Mat'l: Nylon 6/6, RMS-220 Color: Natural	Mat'l: UVB Nylon 6/6, RMS-221 Color: Black	Min Loop Tensile Strength lb (kg)	Max. Bundle Dia.	"L" Length Ref.	"T" Thickness Ref.	"W" Width Ref.	"A" Head Thickness	"B" Head Width	Standard Pack	Fig.	Material Variation		
											UL94 V0 Nylon 6/6, RMS-19 Color: Natural	Heat Stabilized Nylon 6/6 RMS-47 Color: Black	High Temperature Nylon 4/6 RMS-109 Color: Natural
											-19	-47	-109
QTE-18R	QTE-18R-UVB	18 (8)	.945 (24)	4.134 (105)	.039 (1)	.102 (2.6)	.146 (3.7)	.197 (5)	200	1	Special	Special	Special
QTE-18L	QTE-18L-UVB		1.575 (40)	6.102 (155)									
QTE-18V	QTE-18V-UVB		1.969 (50)	7.677 (195)									
QTE-30R	QTE-30R-UVB	30 (13)	1.496 (38)	6.299 (160)	.051 (1.3)	.142 (3.6)	.181 (4.6)	.276 (7)	100	2	Special	Special	Special
QTE-30L	QTE-30L-UVB		1.969 (50)	7.874 (200)									
QTE-30XL	QTE-30XL-UVB		2.559 (65)	9.843 (250)									
QTE-30VL	QTE-30VL-UVB	3.228 (82)	11.811 (300)										
QTE-50R	QTE-50R-UVB	50 (22)	1.969 (50)	8.268 (210)	.055 (1.4)	.185 (4.7)	.213 (5.4)	.354 (9)	100	2	Special	Special	Special
QTE-50RL	QTE-50RL-UVB		2.953 (75)	11.417 (290)									
QTE-50L	QTE-50L-UVB		4.331 (110)	16.142 (410)									
QTE-120SL	QTE-120SL-UVB	120 (54)	2.756 (70)	11.811 (300)	.072 (1.8)	.303 (7.7)	.299 (7.6)	.520 (13.2)	100	2	Special	Special	Special
QTE-120R	QTE-120R-UVB		4.331 (110)	16.535 (420)									
QTE-120L	QTE-120L-UVB		5.709 (145)	20.472 (520)									

Other colors available by special order.

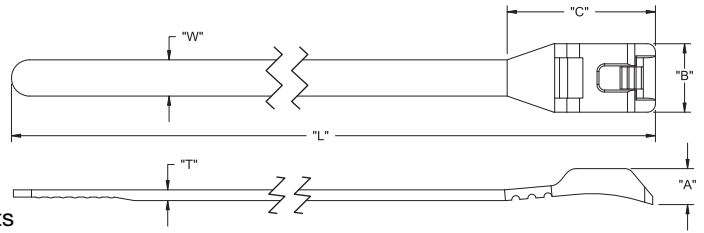
CABLE TIES & ACCESSORIES

WIT-LP Low Profile Cable Ties



Features

- Low profile ideal for confined spaces
- Head height minimizes snags, abrasions, and cuts
- Flexible head easily bends around small bundles



Material: Nylon 6/6, RMS-01 Color: Natural	Material: UVB Nylon 6/6, RMS-46 Color: Black	Min. Loop Tensile Strength lb (kg)	Bundle Diameter Range	"A" ±.020 (0.51)	"B" ±.020 (0.51)	"C" ±.030 (0.76)	"L" ±.030 (0.76)	"T" ±.005 (0.13)	"W" ±.005 (0.13)	Std. Pack
WITLP-50R-M	WITLP-50R-UVB-M	50 (22)	.375-1.750 (9.5-44.45)	.176 (4.47)	.337 (8.56)	.690 (17.53)	7.500 (190.5)	.053 (1.35)	.177 (4.5)	1,000
WITLP-120R-C	WITLP-120R-UVB-C	120 (54)	.563-3.500 (14.3-88.9)	.270 (6.86)	.487 (12.37)	1.380 (35.05)	16.000 (406.4)	.075 (1.91)	.300 (7.62)	100

WIT-KIT-1 Cable Tie Kit

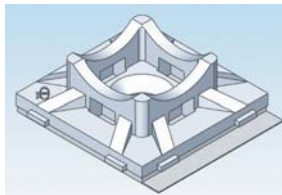


Features

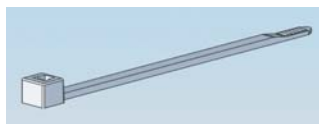
- Great for installers, construction, and DIY projects
- The sturdy tackle box features an easy open latch, divided sections and can be used over and over!
- The ties and accessories come in a durable Nylon 6/6, RMS-01 in natural color

- Each kit includes 50 of the following parts:
 - 18lb. 4.5" long tie
 - 30lb. 5.75" long tie
 - 50lb. 8" long tie
 - 1x1" tie holder
 - .75x.75" tie holder
- See pages 108 & 124 for detailed drawings

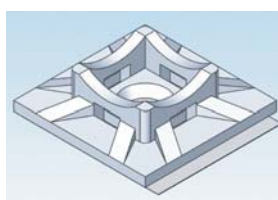
FTH-5A-RT



WIT-50R



FTH-7A-RT



WIT-30R



WIT-1/2A/3/3A

Cable Tie Installation Tools



WIT-1

- Lightweight, economical tool for job site installations and repairs
- For WIT-18 through -50 wire ties



WIT-2A

- Heavy duty construction for Richco Series WIT-18, -30, -40, -50 and -60 wire ties
- Cuts cable tie flush when adjustable preset bundling tension is reached



WIT-3

- For Richco WIT-120 and -175 wire ties

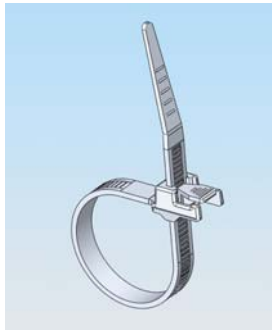


WIT-3A

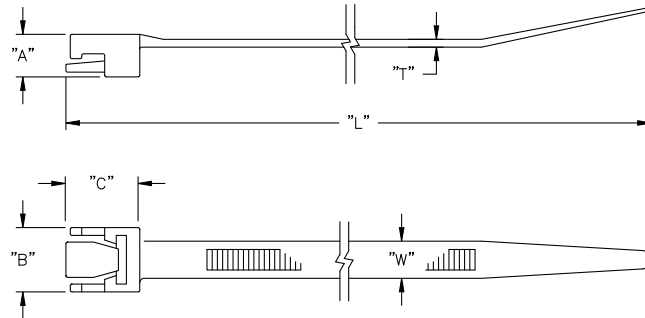
- Economy model for Richco Series WIT-18, -30, -40, -50 and -60 wire ties
- Glass reinforced Nylon provides lightweight durability

CABLE TIES & ACCESSORIES

WIT-RT Release Tab Wrap-It Tie



• UL #E71558



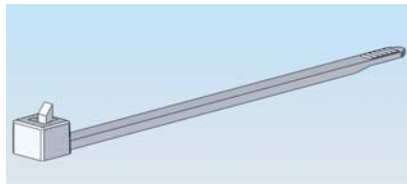
Part No. Prefix	Min. Loop Tensile Strength lb (kg)	"L" Length Ref.	Max. Bundle Diameter	"W" Width Ref.	"T" Thickness Ref.	"A" Head Thickness	"B" Head Width	"C"	Standard Package Suffix			Material Variation
									Standard Package Quantities			UVB Nylon 6/6, RMS-46 Color: Black
									-Q	-M	-UVB	
WIT-RT-1550	40 (18)	5.50 (139.7)	1.25 (31.8)	.21 (5.3)	.05 (1.3)	.24 (6.1)	.36 (9.1)	.45 (11.4)	N/A	1,000	Standard	
WIT-RT-0800		8.00 (203.2)	2.00 (50.8)									
WIT-RT-1050		10.50 (266.7)	2.50 (63.5)									
WIT-RT-1525	250 (113)	15.25 (387.4)	4.00 (101.6)	.52 (13.2)	.09 (2.3)	.38 (9.7)	.80 (20.3)	.86 (21.8)	25	N/A	Special	
WIT-RT-2150		21.50 (546.1)	6.00 (152.4)									
WIT-RT-2775		27.75 (704.9)	8.00 (203.2)									

Other colors and materials available by special order.

WIT-R Releasable Wrap-It Tie



• UL #E71558



Features

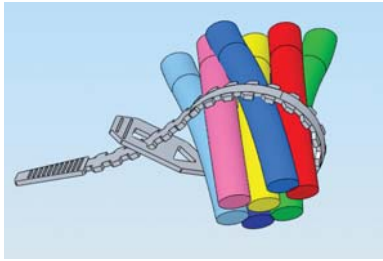
- The extended tab on the tie head permits easy release
- Release tab facilitates routing changes and repairs

Part No. Prefix	Min. Loop Tensile Strength lb (kg)	"L" Length Ref.	Max. Bundle Diameter	"W" Width Ref.	"T" Thickness Ref.	"A" Head Thickness	"B" Head Width	Standard Package Suffix			Material Variation
								Standard Package Quantities			UVB Nylon 6/6, RMS-46 Color: Black
								-C	-D	-M	-UVB
WIT-50SR	50 (22)	6.00 (152.4)	1.50 (38.1)	.19 (4.8)	.05 (1.3)	.21 (5.3)	.31 (7.9)	100	N/A	1,000	Standard
WIT-50RR		8.00 (203.2)	2.00 (50.8)								
WIT-120SR	120 (54)	8.50 (215.9)	2.00 (50.8)	.30 (7.6)	.07 (1.8)	.29 (7.4)	.51 (12)	N/A	500	N/A	
WIT-120RR		15.00 (381)	4.25 (108)								
WIT-120LR		21.25 (539.8)	5.87 (149.1)								

Other colors and materials available by special order.

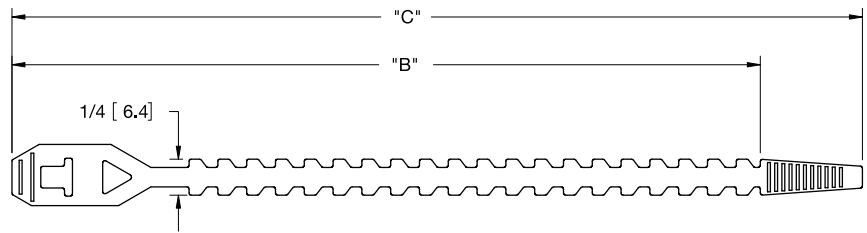
CABLE TIES & ACCESSORIES

HT Hanking Tie



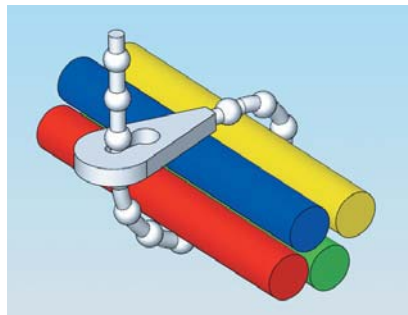
Features

- Ideal for wrapping electrical cords for shipping and packaging
- Releasable, adjustable and reusable



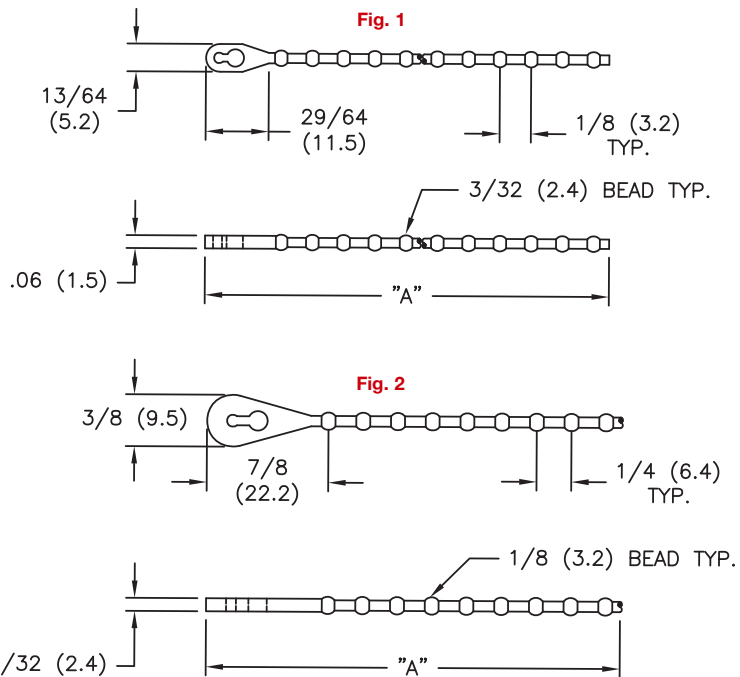
Material: Polyethylene, RMS-134 Color: Natural	Max. Bundle Diameter	"B" Ref.	"C" Ref.
Standard Pack: 1,000 per bag			
HT-3.9	.91 (23)	3.19 (81)	3.90 (99)
HT-4.9	1.10 (28)	4.21 (107)	4.92 (125)
HT-5.9	1.92 (36)	5.20 (132)	5.91 (150)

BT Beaded Tie



Features

- The locking key head design secures quickly to bundle wires and releases easily to add wires or re-route
- The smooth, round beads will not abrade insulation
- Commonly used for tagging operations such as color coding or attaching ID plates



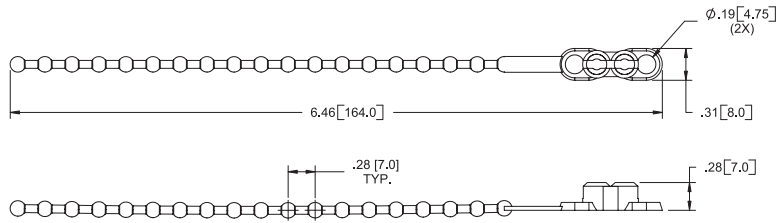
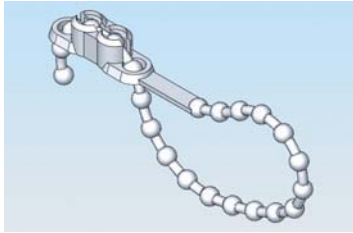
Part No. Prefix	"A" Length Ref.	Max. Bundle Diameter*	Fig.	Color & Material Suffix					
				Color: Red Mat'l: Polypropylene, RMS-10	Color: Yellow Mat'l: Polypropylene, RMS-10	Color: Blue Mat'l: Polypropylene, RMS-10	Color: Black Mat'l: Polypropylene, RMS-10	Color: Black Mat'l: Nylon 6/6, RMS-01	Color: Natural Mat'l: Nylon 6/6, RMS-01
Standard Pack: 1,000 per bag				-10-RD	-10-YL	-10-BL	-10-BK	-01-BK	-01-NT
BT-2	2.50 (63.5)	9/16 (14.3)	1	Standard	Standard	Standard	Special	Special	Special
BT-4	4.00 (101.6)	1 (25.4)					Standard	Standard	Standard
BT-5	5.00 (127)	1-1/4 (31.8)					Special	Special	Special
BT-6	6.00 (152.4)	1-3/4 (44.5)	2	Standard	Standard	Standard	Special	Special	Special
BT-8	8.75 (222.3)	2-3/8 (60.3)					Special	Special	Special
BT-10	10.75 (273.1)	3-1/8 (85.7)					Special	Special	Special
BT-12	12.75 (323.9)	3-5/8 (92.1)							

*All Maximum Bundle Diameters Require 3 Beads Engagement

CABLE TIES & ACCESSORIES

HTE

Beaded Hanking Tie



Features

- Installed by threading the beaded length through the first hole, two beads are securely locked into place by hand and the remainder of the tie is passed through the last hole for extra cable security
- Installation process can be reversed making the tie totally reusable
- Manufactured in a specially formulated Polyethylene that enables the tie to have a degree of elasticity, which prevents cable bundles being scratched

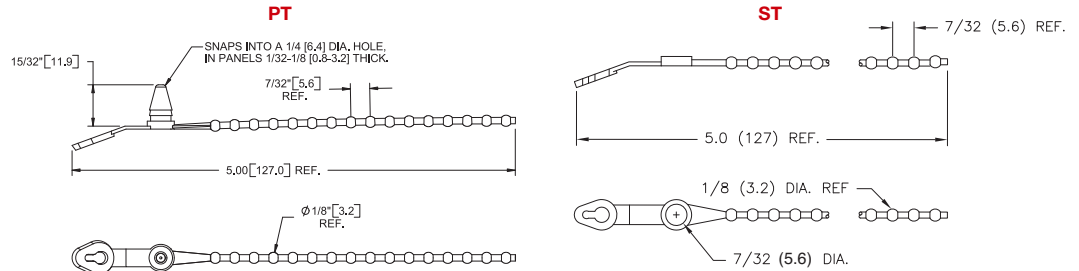
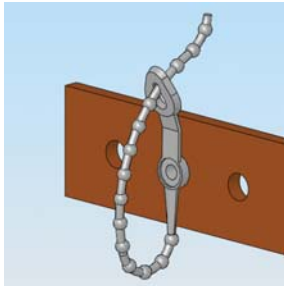
HTE-164-PE3L/1H

Mat'l: Polyethylene,
RMS-155
Color Natural

Standard Pack: 1,000 per bag

PT/ST

Pushbutton Wire Tie



Features

- PT style mounts easily into a pre-drilled hole
- ST style is available with 7/32 (5.6) diameter hole in place of cone for screw mounting

PT/ST			Standard Pack: 1,000 per bag	
Mat'l: Polypropylene, RMS-10	Mat'l: Nylon 6/6, RMS-01	Mat'l: UL94 V0 Nylon 6/6, RMS-19	Color	Bundle Dia. Range
PT-200	PT-300	Not Available	Red	1/4 - 1 1/4 (6.4 - 31.8)
PT-203	PT-303	Not Available	Black	
PT-205	PT-305	PT-405	Natural	
ST-205	ST-305	ST-405		

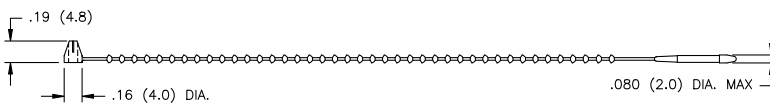
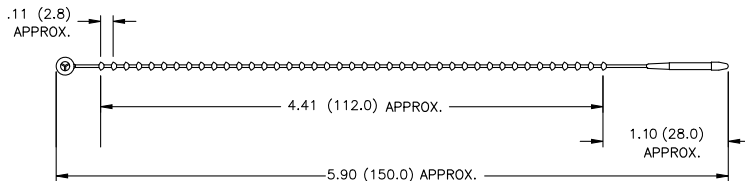
Other colors and materials available by special order.

LBT

Locking Beaded Tie



• UL #E93670



Features

- Permanent lock
- Commonly used in the retail market for tagging and securing merchandise

Material: Nylon 6/6, RMS-01 • Color: Natural

Part No.	Standard Pack: 1,000 per Bag	
	Min. Loop Tensile lb (kg.)	Max. Bundle Dia.
LBT-18-01	18 (8)	1.4 (35.6)

CABLE TIES & ACCESSORIES

WIT-50RLA Push-Mount Ties



• UL #E71558

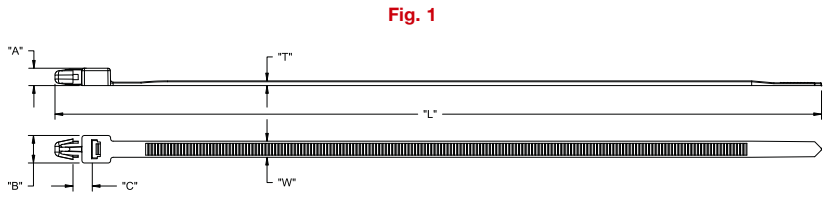
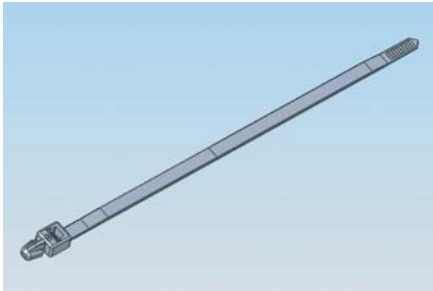


Fig. 1

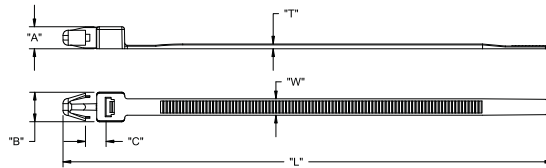


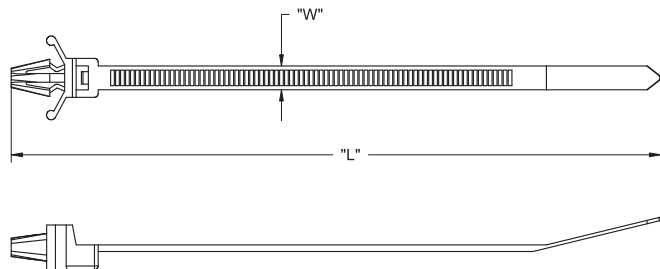
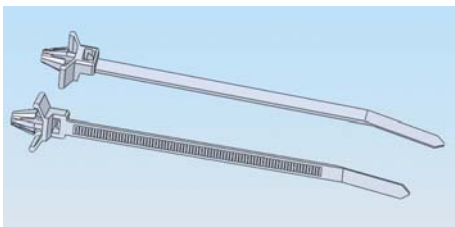
Fig. 2

Features

- Push into a pre-drilled hole for a simple and secure one piece harness
- Bundling can be done either before or after mounting
- Spacer option is ideal for routing cables above crowded panels

Standard Mat'l: Nylon 6/6, RMS-01 Color: Natural	Min. Loop Tensile Strength lb (kg)	"L" Length Ref.	Max. Bundle Diameter	"W" Width Ref.	"T" Thickness Ref.	"A"	"B" Ref.	"C" Ref.	Hole Dia.	Panel Thickness	Mat'l Variation	Fig.				
											UVB Nylon 6/6, RMS-46 Color: Black					
Standard Pack: 1,000 per bag																
WIT-50RLA	50 (22)	8.87 (225.4)	2.00 (50.8)	.19 (4.8)	.05 (1.3)	.20 (5.1)	.32 (8.1)	.19 (4.8)	.187 ± .003 (4.8 ± 0.08)	.093 (2.36)	-UVB	1				
WIT-50RLA-1		5.32 (135)	1.00 (25.4)			.26 (6.5)					.32 (8.1)	.24 (6)	.250 ± .003 (6.35 ± 0.08)	.125 (3.18)	Special	2
WIT-50RLA-2		6.69 (170)	1.50 (38.1)													
WIT-50RLA-3		7.87 (200)	1.75 (44.5)													

WIT-RA/SA Arrowhead Ties



Features

- Tension wings provide a tight fit to board

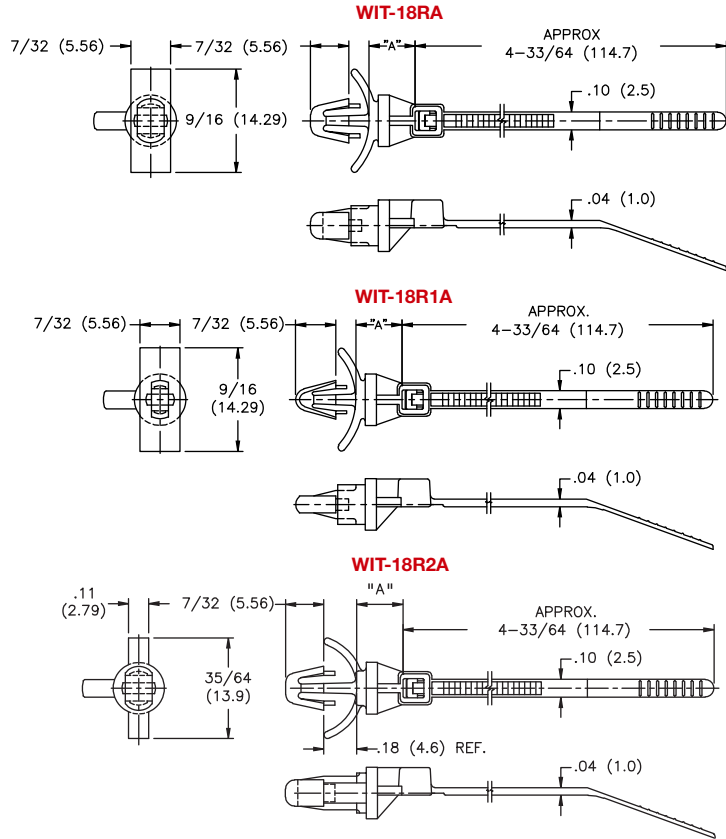
Standard Mat'l: Nylon 6/6, RMS-01 Color: Natural	Min. Loop Tensile Strength lb (kg)	"L" Length Ref.	Max. Bundle Diameter	"W" Width Ref.	Hole Dia.	Panel Thickness	Mat'l Variation
							UVB Nylon 6/6, RMS-46 Color: Black
Standard Pack: 1,000 per bag							Replace -01 with -UVB
WIT-18RA-01	18 (8)	4.3 (109)	.80 (21)	.10 (25)	.187 (4.8)	.062 (1.6)	Special
WIT-50SA-01	50 (22)	5.0 (127)	.90 (23)	.19 (4.8)	.252 (6.4)		
WIT-50SRA-01		6.6 (168)	1.40 (36)				
WIT-50RA-01		7.8 (198)	1.70 (43)				

CABLE TIES & ACCESSORIES

WIT-18RA Self-Mount Ties



• UL #E71558



Features

- Spacer option is ideal for routing cables above crowded panels
- Tension wings provide a tight fit to board

Standard Material: Nylon 6/6, RMS-01 Color: Natural	Min. Loop Tensile Strength lb (kg)	Max. Bundle Diameter	"A"	Hole Dia.	Panel Thickness Range	Material Variation	
						UVB Nylon 6/6, RMS-46 Color: Black	
Std. Pack 1,000 per bag						Replace -01 with -UVB	
WIT-18RA-4-01	18 (8)	.750 (19.1)	.250 (6.4)	.187 ± .003 (4.75 ± 0.08)	.031-.078 (0.79-1.98)	Special	
WIT-18RA-6-01			.375 (9.5)				
WIT-18RA-8-01			.500 (12.7)				
WIT-18R1A-4-01			.250 (6.4)	.156 ± .003 (4 ± 0.08)			
WIT-18R1A-6-01			.375 (9.5)				
WIT-18R1A-8-01			.500 (12.7)				
WIT-18R2A-4-01			.250 (6.4)	.187 ± .003 (4.75 ± 0.08)			.062-.141 (1.6-3.6)

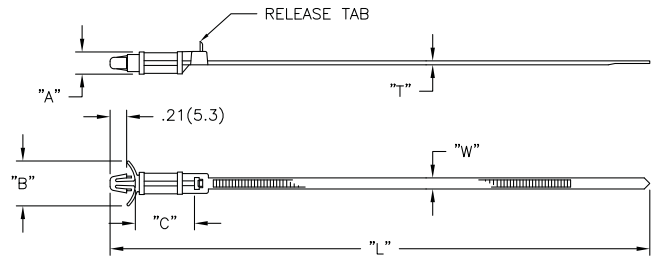
WIT-30RRA Push-Mount Ties



• UL #E71558

Features

- Push into a pre-drilled hole for a simple and secure one piece harness
- Bundling can be done either before or after mounting
- Spacer option is ideal for routing cables above crowded panels

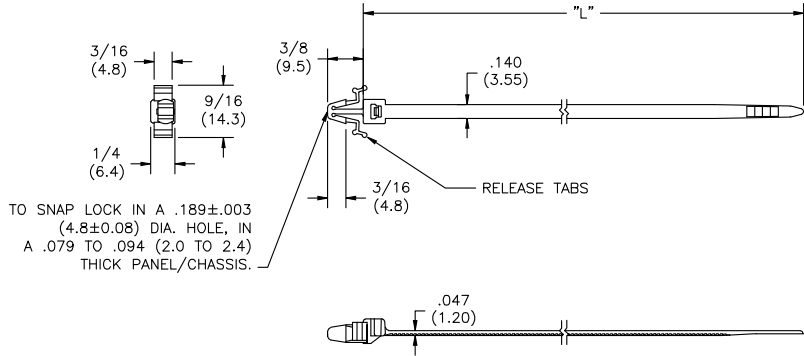
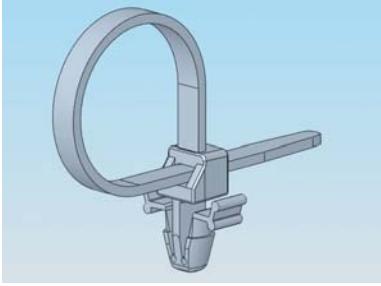


Standard Mat'l: Nylon 6/6, RMS-01 Color: Natural	Min. Loop Tensile Strength lb (kg)	"L" Length Ref.	Max. Bundle Diameter	"W" Width Ref.	"T" Thickness Ref.	"A"	"B" Ref.	"C" Ref.	Hole Dia.	Panel Thickness	Mat'l Variation
											UVB Nylon 6/6, RMS-46 Color: Black
Std. Pack: 1,000 per bag											-UVB
WIT-30RRA-4	30 (13)	6.312 (160.3)	1.250 (31.8)	.14 (3.6)	.05 (1.3)	.28 (7.1)	.562 (14.3)	.281 (7.1)	.187 ± .003 (4.8 ± 0.08)	.030-.078 (0.8-1.98)	Special
WIT-30RRA-8		6.562 (166.7)									
WIT-30RRA-12		6.812 (173)									
WIT-30RRA-16		7.062 (179.4)									

CABLE TIES & ACCESSORIES

WIT-XAR

Releasable Arrowhead Ties



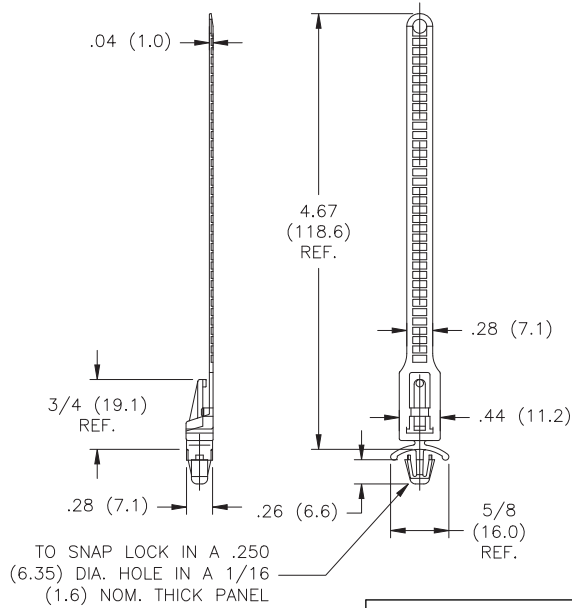
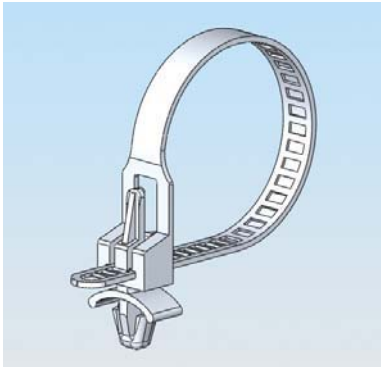
Features

- Tie is permanent locking but arrowhead is easily removed from the panel

Standard Material: Nylon 6/6, RMS-01 Color: Natural	Min. Loop Tensile Strength lb (kg)	"L" Length Ref.	Max. Bundle Diameter
Standard Pack 1,000 per bag			
WIT-30RAR1-2	30 (13)	4.75 (120.7)	1.00 (25.4)
WIT-30LAR1-2		5.75 (146)	1.25 (31.7)

TOAH-18-01

Tie On Arrowhead



Features

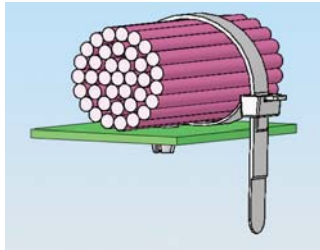
- Allows for easy removal or additions to bundles
- To release tie, simply press the release tab with finger

Material: Nylon 6/6, RMS-01 • Color: Natural
Standard Pack: 1,000 per bag
Maximum Bundle Diameter 1-1/8 (28.5)
Black color available by special order



CABLE TIES & ACCESSORIES

SRRCT River Mount Cable Tie



Features

- One part design, saving on installation time and inventory
- Tie is releaseable

Fig. 1

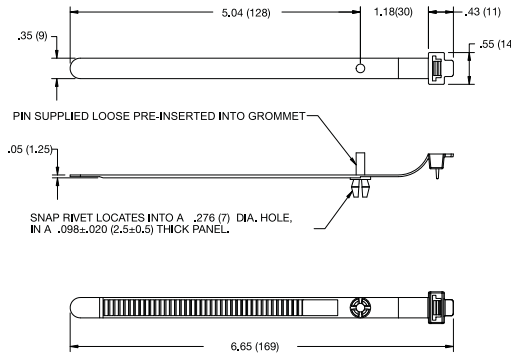
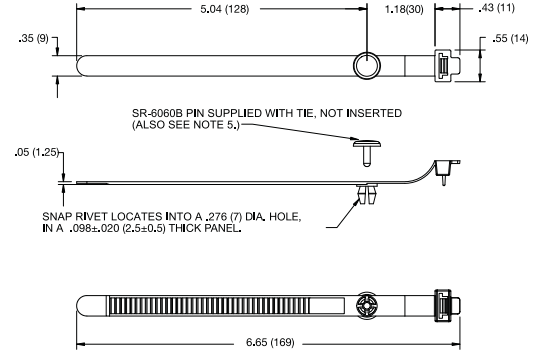


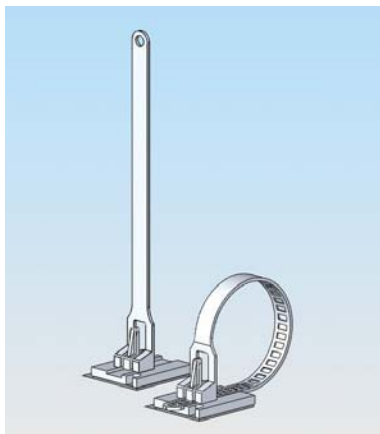
Fig. 2



Material: Nylon 6/6, RMS-01 Color: Black						
Part No.	Max. Loop Tensile Strength lb(N)	Max. Bundle Dia.	Rivet Pin	Rivet Pin Material	Standard Pack	Fig.
SRRCT-1	56 (250)	.40 (1.58)	Pin pre-inserted into grommet	Nylon 6/6, RMS-01	200	1
SRRCT-2			SR-6060 Pin supplied in bag	Nylon 6, RMS-52	100	2

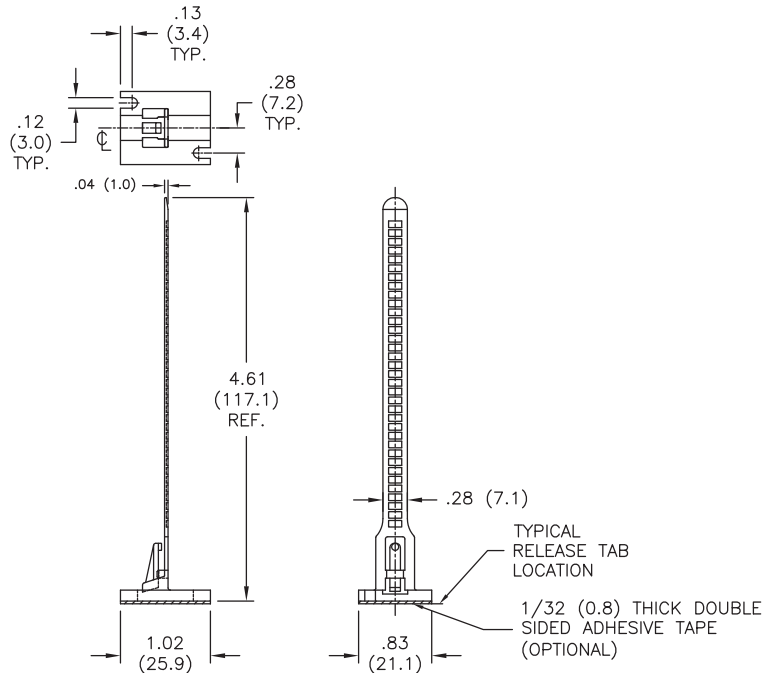
See page 52 for SR-6060 Pin information

TOBS Tie On Base, Screw



Features

- Releasable, adjustable and reusable
- Can be mounted with two #4 or M2.5 screws or with optional double-backed adhesive tape
- Base has a slot to guide strap under the locking mechanism



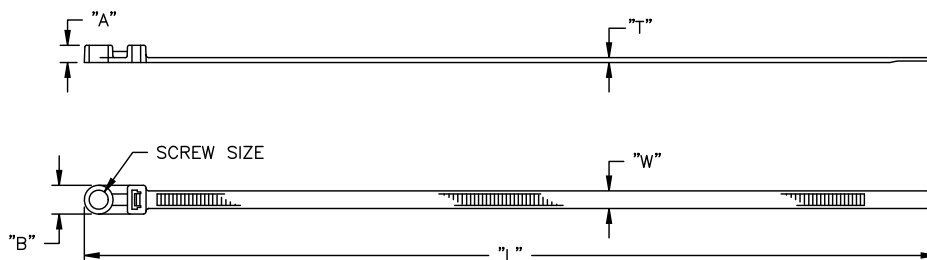
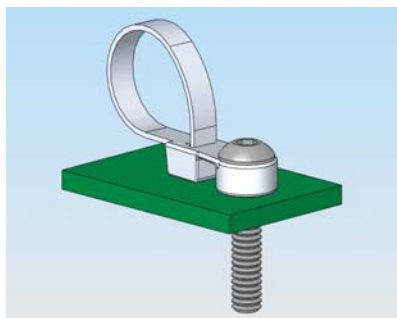
Material: Nylon 6/6, RMS-01 • Color: Black	
Standard Pack: 1,000 per bag	
Maximum Bundle Diameter = 1-1/8 (28.5)	
TOBS-18-01	Screw Mount
TOBS-18-01A-RT	Adhesive Mount
Acrylic Adhesive Tape, RMS-15	

CABLE TIES & ACCESSORIES

WITS Wrap-It Tie, Screw Mount



• UL #E71558

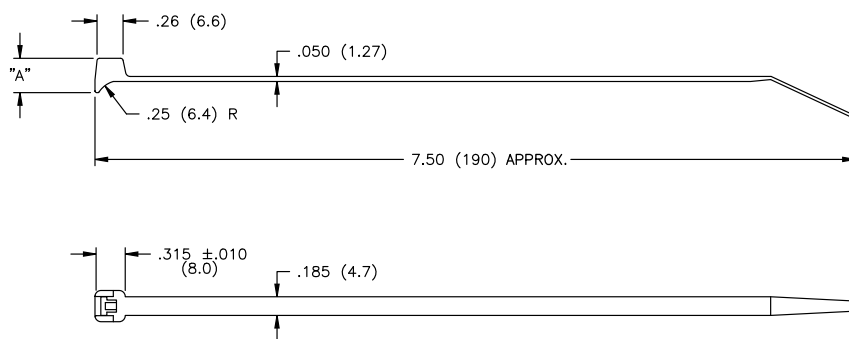
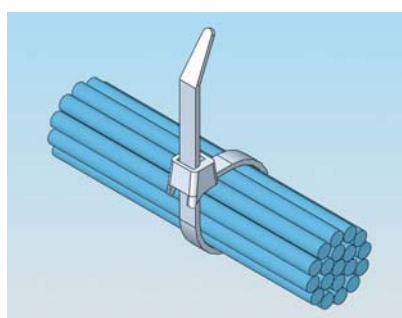


Features

- Hole in end of tie for mounting with a screw
- Can be used in place of a mounting base with separate ties

Part No. Prefix	Min. Loop Tensile Strength lb (kg)	"L" Length Ref.	Max. Bundle Diameter	"W" Width Ref.	"T" Thickness Ref.	"A" Head Thickness	"B" Head Width	Screw Size Accepted	Standard Package Suffix		Material Variation
									Standard Package Quantities		UVB Nylon 6/6, RMS-46 Color: Black
									-D	-M	-UVB
WITS-4-18MR	18 (8)	5 (127)	3/4 (19.1)	.10 (2.5)	.04 (1)	.12 (3)	.23 (5.8)	#4 or M2.5	N/A	1,000	Special
WITS-8-50MS	50 (22)	6-3/4 (171.5)	1-1/2 (38.1)	.19 (4.8)	.05 (1.3)	.20 (5.1)	.37 (9.4)	#8 or M4			
WITS-8-50-MRL		8-11/16 (220.7)	2 (50.8)								
WITS-8-50MR		11-5/8 (295.3)	3 (76.2)								
WITS-8-50ML		16 (406.4)	4 (101.6)								
WITS-10-50MS		6-3/4 (171.5)	1-1/2 (38.1)								
WITS-10-50MRL		8-11/16 (220.7)	2 (50.8)								
WITS-10-50MR	11-5/8 (295.3)	3 (76.2)	#10 or M5								
WITS-10-50ML	16 (406.4)	4 (101.6)									
WITS-14-120MR	120 (54)	15-5/8 (396.9)		4 (101.6)	.30 (7.6)	.07 (1.8)	.29 (7.4)	.50 (12.7)			
WITS-14-120ML		21-7/8 (555.6)	6 (152.4)								

WITCH-50R Contour Head Wrap-It Tie



Features

- Contour head allows 360° contact around bundle, tube, hose, etc. that are 1/2 (12.7) diameter
- Clamps round surfaces tightly

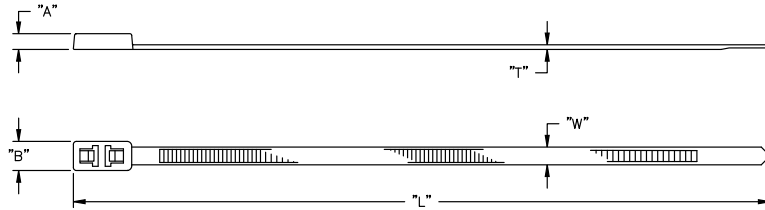
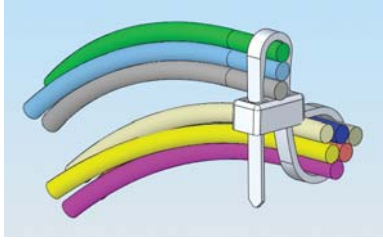
Part No. Prefix	Min. Loop Tensile Strength lb (kg)	Max. Bundle Diameter	Min. Bundle Diameter	"A"	"T" Thickness Ref.	Standard Package Suffix		Material Variation
						Standard Package Quantities		UVB Nylon 6/6, RMS-46 Color: Black
						-C	-M	-UVB
WITCH-50R	50 (22)	1.875 (47.6)	.25 (6.4)	.340 (8.6)	.05 (1.3)	100	1,000	Standard

CABLE TIES & ACCESSORIES

WIT-DH Double-Loop Tie



• UL #E71558



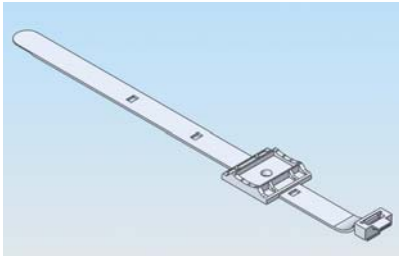
Features

- Designed to harness two bundles simultaneously
- The second loop can serve as a positioning device for a single bundle

Standard Material: Nylon 6/6, RMS-01 Color: Natural	Min. Loop Tensile Strength lb (kg)	"L" Length Ref.	Max. Combined Bundle Diameter	"W" Width Ref.	"T" Thickness Ref.	"A"	"B"	Material Variation
								UVB Nylon 6/6, RMS-46 Color: Black
Std. Pack: 1,000 per bag								
WIT-50RLDH	50 (22)	8.88 (225.4)	1.0 (25.4)	.19 (4.8)	.05 (1.3)	.21 (5.3)	.31 (7.9)	-UVB
WIT-50LDH		15.63 (396.9)	2-1/4 (57.2)					Standard
WIT-50LDHR*								Special
*Second Loop is Releasable								
Other colors available by special order.								

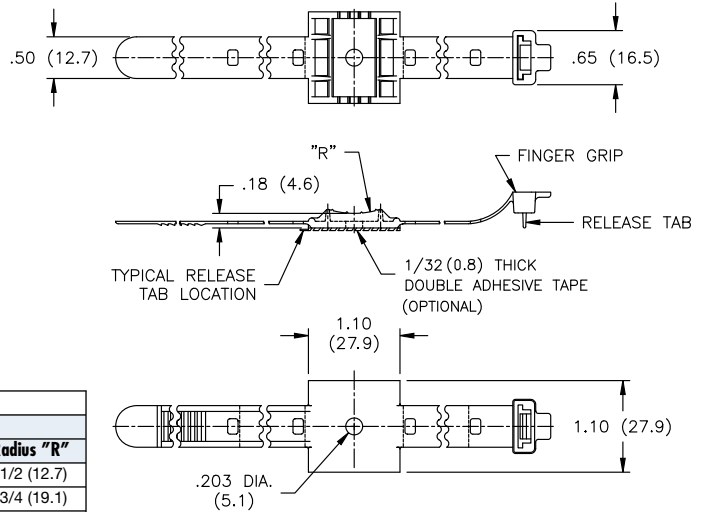
UMS

Universal Mounting Strap



Richco Rivet No.	Panel Thickness Range
SR-5045	Up to .018 (0.5)
SR-5055	.018-.058 (0.5-1.5)
SR-5065	.058-.097 (1.5-2.5)
SR-5075	.097-.137 (2.5-3.5)
SR-5085	.137-.176 (3.5-4.5)
SR-5095	.176-.215 (4.5-5.5)
SR-5105	.215-.255 (5.5-6.5)

See Page 52



Features

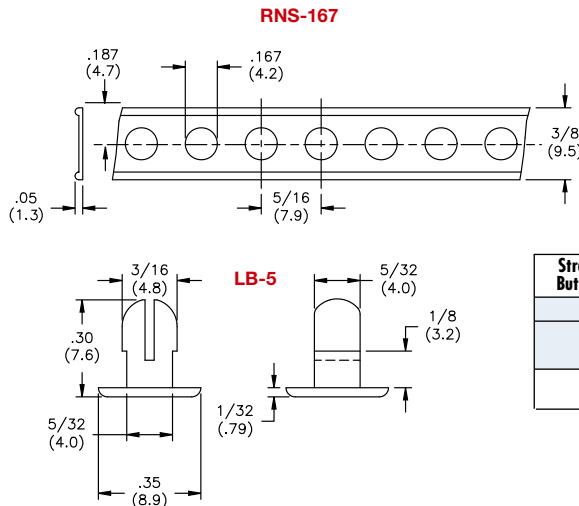
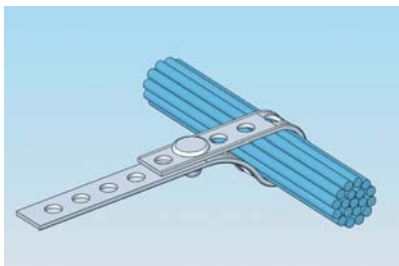
- Can be mounted with a #6 or M4 screw, rivet (see chart) or optional double-backed adhesive tape

Material: Nylon 6/6, RMS-45 • Color: Black				
Part No. W/O Tape	Part No. W/ Tape	Standard Pack: 100		
		Maximum Bundle Dia.	Min. Loop Tensile Strength lb(kg)	Radius "R"
UMS-16-45	UMS-16-45A-RT	1 (25.4)	50 (22.68)	1/2 (12.7)
UMS-24-45	UMS-24-45A-RT	1 - 1/2 (38.1)		3/4 (19.1)
UMS-32-45	UMS-32-45A-RT	2 (50.8)		1 (25.4)

Acrylic Adhesive Tape, RMS-15

RNS/LB

Nylon Strap and Locking Button



Strap Material: Nylon 6/6, RMS-17, • Color: Black Button Material: Nylon 6/6, RMS-01 • Color: Black	
Part No.	
Standard Pack: 100 feet roll	Standard Pack: 100 per bag
RNS-167	LB-5

Features

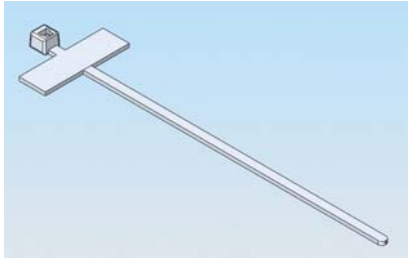
- Suspend, fasten or support cables, wire bundles, tubing, pipe or wire harnesses



CABLE TIES & ACCESSORIES

WIT-F1/F2

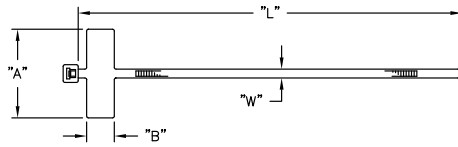
Marker Flag Wrap-It Tie



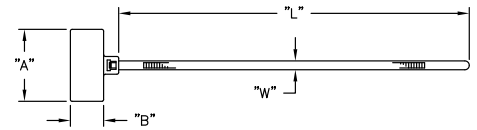
Features

- Marker tag can be used to imprint or write on to identify various bundles

WIT-F1-18R



WIT-F2-18R

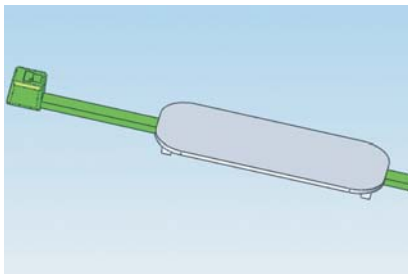


Standard Material: Nylon 6/6, RMS-01 Color: Natural	Min. Loop Tensile Strength lb (kg)	"L" Length Ref.	Max. Bundle Diameter	"W" Width Ref.	"T" Thickness Ref.	"A"	"B"
Std. Pack 1,000 per bag							
WIT-F1-18R-M	18 (8)	4.50 (114.3)	.75 (19.1)	.10 (2.5)	.04 (1)	1.00 (25.4)	.313 (7.9)
WIT-F2-18R-M						.81 (20.6)	.375 (9.5)

Other colors available by special order.

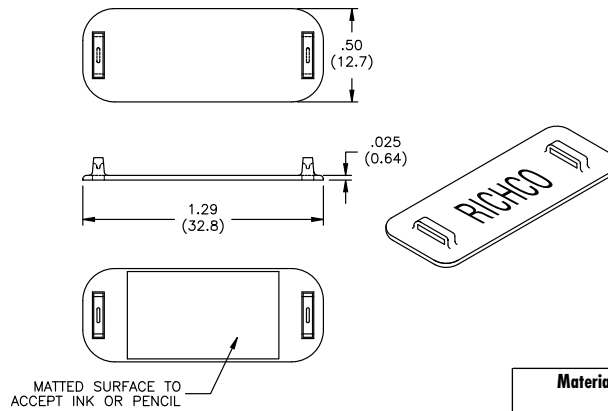
WIT-MK-1

Marker Tag Wrap-It Tie



Features

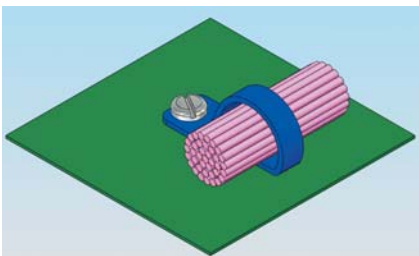
- Mounted to a 30 (14), 40 (18), 50 (23), or 60 (27) lb (kg) standard cable tie to identify bundles



Material: Nylon 6/6, RMS-01 Color: Natural
Standard Pack: 1,000 per Bag

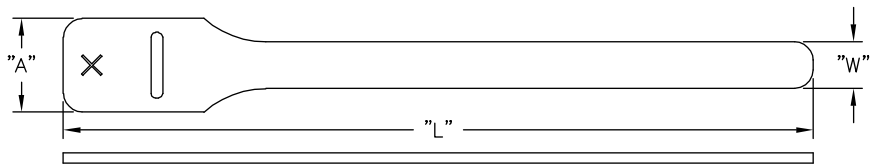
RKWS

Kwik Wrap Screw Mount Hook & Loop



Features

- Cross in end of tie for mounting with a screw, eliminating the need for a mounting device

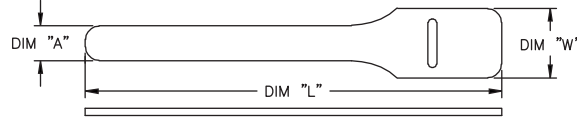
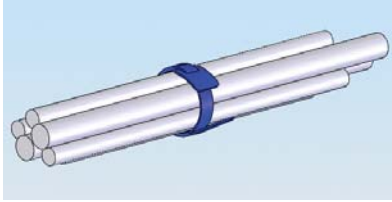


Material: Low Density Polyethylene Hook, RMS-249 • Nylon Knit Loop, RMS-251 Color: Black			
Part No.	Standard Pack: 100 pieces		
	"A" ± .125 (3.2)	"W" ± .125 (3.2)	"L" ± 1/2 (12.7)
RKWS-8-9-BK	1.0 (25.4)	1/2 (12.7)	9.0 (228.6)
RKWS-8-12-BK			12.0 (304.8)

Colors: White (-W), Blue (-BL), Red (-RD), Yellow (-YL), Green (-GN), Orange (-OR) available by special order. Specify when ordering.

CABLE TIES & ACCESSORIES

RKW Kwik Wrap Hook & Loop



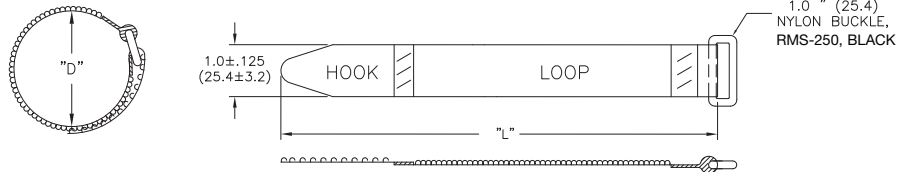
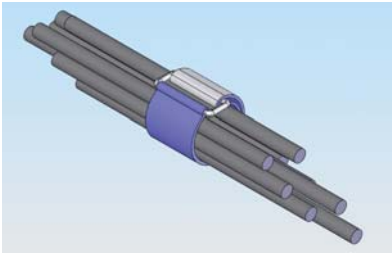
Features

- One piece design is reusable, adjustable, releasable and easy to install
- Will not cause damage to fiber because the ties cannot be overcinched
- Low profile, "soft" design is ideal in tight areas and will not get caught on other cables
- To mount, use part number FTH-27 found on page 123

Material: Low Density Polyethylene Hook, RMS-249 • Nylon Knit Loop, RMS-251 Color: Black			
Part No.	Standard Pack: 100 per bag		
	"A" ± 1/8 (3.2)	"W" ± .125 (3.2)	"L" ± 1/2 (12.7)
RKW-6-6-BK	3/8 (9.5)	.75 (19.1)	6 (152.4)
RKW-8-6-BK	1/2 (12.7)	1.0 (25.4)	8 (203.2)
RKW-8-8-BK			11 (279.4)
RKW-8-11-BK			15 (381)
RKW-12-15-BK	3/4 (19.1)	1.5 (38.1)	18 (457.2)
RKW-12-18-BK			24 (609.6)
RKW-12-24-BK			

Colors: White (-W), Blue (-BL), Red (-RD), Yellow (-YL), Green (-GN), Orange (-OR) available by special order. Specify when ordering.

RKWD Kwik Wrap D Style Hook & Loop



Features

- Wrap the strap around a bundle or object, loop it through the D-Ring, and then back onto itself for a secure hold
- Perfect for larger diameter bundles
- The Square Ring allows the user to "cinch" the strap tight around the bundle

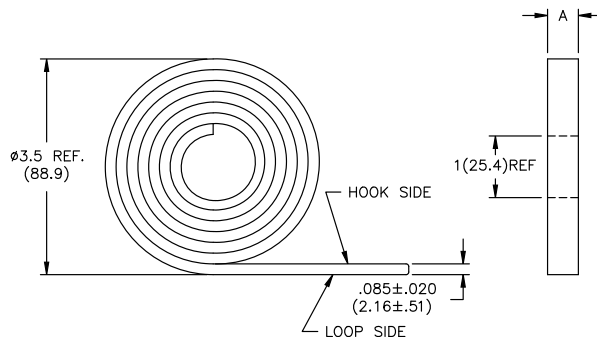
Material: Low Density Polyethylene Hook, RMS-249 • Nylon Knit Loop, RMS-251 Color: Black		
Part No.	Standard Pack: 100 per bag	
	"L" ± 1/4 (.6.4)	"D" Approx. Bundle Dia. with Hook Fully Engaged
RKWD-16-9-BK	9 (228.6)	2-1/2 (63.5)
RKWD-16-12-BK	12 (304.8)	3 (76.2)
RKWD-16-15-BK	15 (381)	4 (101.6)
RKWD-16-20-BK	20 (508)	5-3/8 (136.5)
RKWD-16-24-BK	24 (609)	6-7/8 (174.6)

Available by special order only. 1,000 piece minimum.
Colors: White (-W), Blue (-BL), Red (-RD), Yellow (-YL), Green (-GN), Orange (-OR) available by special order. Specify when ordering.

RKWR Kwik Wrap on a Roll Hook & Loop

Features

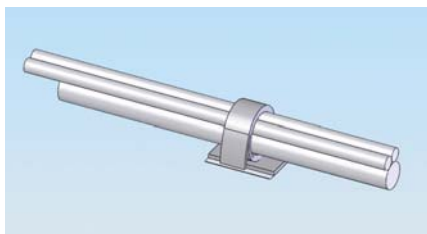
- Ideal for job site applications. The desired length can be cut as needed



Material: Low Density Polyethylene Hook, RMS-249 • Nylon Knit Loop, RMS-251 Color: Black (-BK), Blue (-BL), Red (-RD), Yellow (-YL), Green (-GN), Orange (-OR). Specify with suffix when ordering.		
Part No.	Standard Pack: 1 roll per Bag	
	"A"	Total Length
RKWR-1	3/4 (19.1)	5 Yards (4.57m)
RKWR-2	1 (25.4)	

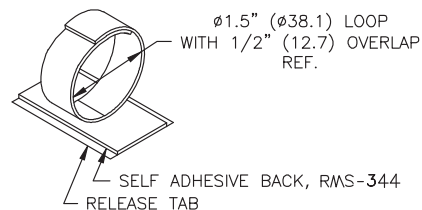
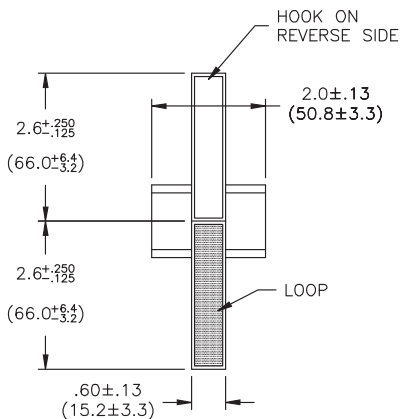
CABLE TIES & ACCESSORIES

RKWB-1 Kwik Wrap on Base Hook & Loop



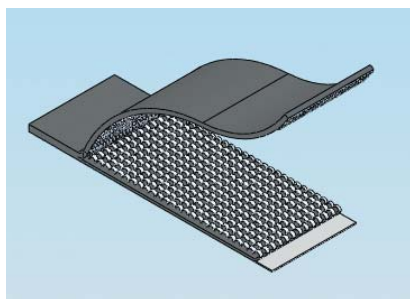
Features

- Easily mounted to wall surfaces or wire rack hardware
- Allows for easy re-assembly and adjustment without having to replace the wrap

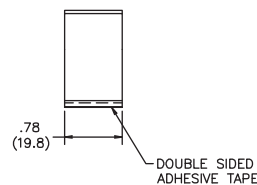
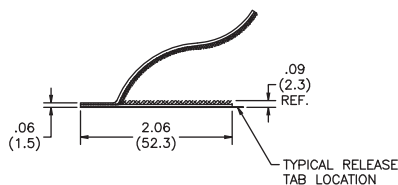


Material: Hook and Loop, RMS-343
Color: Black
Standard Pack: 100 per bag

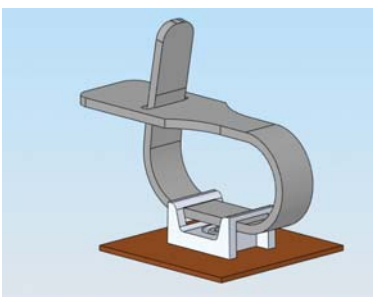
RKWFA-16-300 Kwik Wrap on Adhesive Hook & Loop



Material: Low Density Polyethylene Hook • Nylon Knit Loop
Color: Black
Standard Pack: 100 pieces
Maximum Recommended Holding Dia.: .75 (19.05)

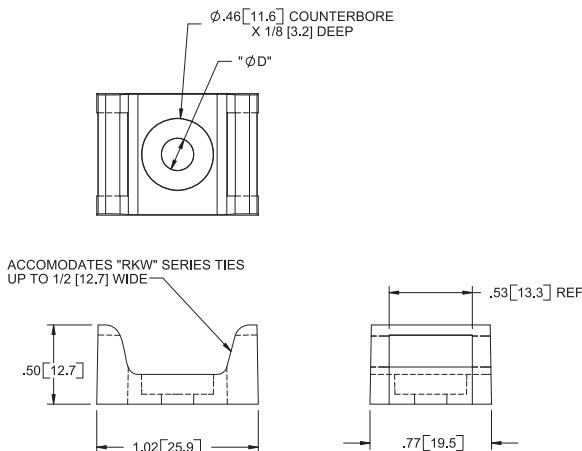


FTH-27 Flat Tie Holder for Kwik Wrap



Features

- Mounts hook and loop ties up to 1/2 (12.7) wide



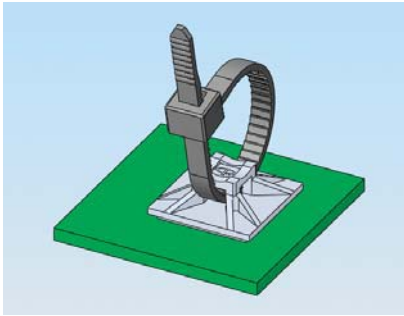
Material: Nylon 6/6 (RMS-01) • Color: Natural		
Standard Pack: 1,000 pieces		
Part No.	"D" Dia.	Mounting Screw
FTH-27-RS-01	.205 (5.2)	#10 or M5 Screw or Rivets
FTH-27-12-01	.230 (5.8)	#10 or M5 & #12 or M5 Screws or Rivets

MOUNTING RIVETS FOR THE FTH-27RS		
RIVET NO.	HOLE DIA.	PANEL THICKNESS RANGE
SR-5055	.201 (5.1)	.035-.075 (0.9-1.9)
SR-5065		.075-.114 (1.9-2.9)
SR-5075		.114-.154 (2.9-3.9)
SR-5085		.154-.193 (3.9-4.9)
SR-5095		.193-.232 (4.9-5.9)
SR-5105		.232-.272 (5.9-6.9)

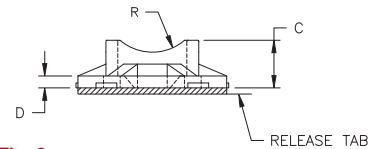
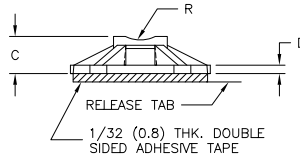
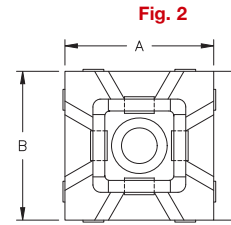
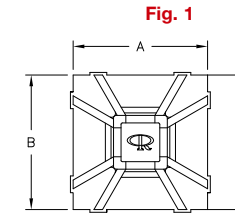
See Page 52

CABLE TIES & ACCESSORIES

FTH/MFTH Flat Tie Holder

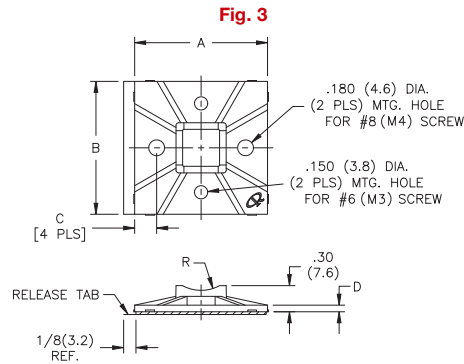


• UL #E71558



Features

- Used with cable ties to stabilize and secure bundles
- These holders can be mounted to a surface using adhesive or with a screw (except MFTH)
- UVB Nylon 6/6 material is for outdoor applications

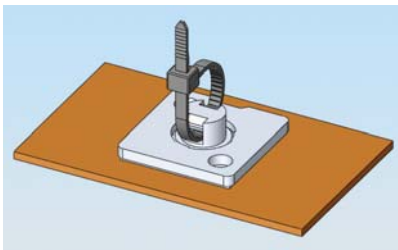


Part No. Prefix			Fig.	Used with Ties	"A"	"B"	"C"	"D"	"R"	Recommended Mounting Screw	Material Variations		Standard Package Suffix	
Holder Material: Nylon 6/6, RMS-01 Color: Natural											UVB Nylon 6/6, RMS-46 Color: Black	UL94 V0 Nylon 6/6, RMS-19 Color: Natural	-C	-M
Adhesive Mat'l: Acrylic, RMS-15	Adhesive Mat'l: Rubber, RMS-102	Screw Mount									-UVB	-19		
MFTH-2-01A-RT	MFTH-2-01A1-RT	N/A	1	WIT-18	.50 (12.7)	.50 (12.7)	.14 (3.5)	.031 (0.8)	1/8 (3.2)	N/A	Special			
FTH-5A-RT	FTH-5A1-RT	FTH-5-01	2	WIT-18 thru 40; QTE-18	.75 (19.1)	.75 (19.1)	.24 (6.1)	.06 (1.5)	1/4 (6.4)	#6 or M3	Standard			
FTH-7A-RT	FTH-7A1-RT	FTH-7-01	2	WIT-50, 60; QTE-50	1.00 (25.4)	1.00 (25.4)	.28 (7.1)	.08 (2)	3/8 (9.5)	#8 or M4	Standard, Special in Rubber Adhesive	Special	100	1,000
FTH-8A-RT	-	FTH-8-01	3	WIT-50 thru 120;	1.50 (38.1)	1.50 (38.1)	.25 (6.35)	.08 (2)	7/16	#6 or M3 or #8 or M4	Special			
FTH-10A-RT	-	FTH-10-01	3	All QTE	2.00 (50.8)	2.00 (50.8)	.325 (8.26)							

Other Adhesives are available by special order.

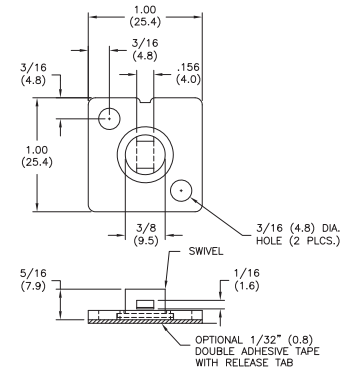
FTH-4

Flat Tie Holder with Swivel



Features

- Unique swivel head allows 360° rotation of the mounted bundle
- Swivel also facilitates easy re-routing



Part No. Prefix			Used with Ties	"A"	"B"	"C"	Recommended Mounting Screw	Material Variations		Standard Package Suffix	
Holder Material: Nylon 6/6, RMS-01 Color: Natural								UVB Nylon 6/6, RMS-46 Color: Black	UL94 V0 Nylon 6/6, RMS-19 Color: Natural	-C	-M
Adhesive Mat'l: Acrylic, RMS-15	Screw Mount							-UVB	-19		
FTH-4A-RT	FTH-4-01		WIT-18 thru 40; QTE-18	1.00 (25.4)	1.00 (25.4)	.31 (4.8)	#8 or M4	Special	Special	100	1,000

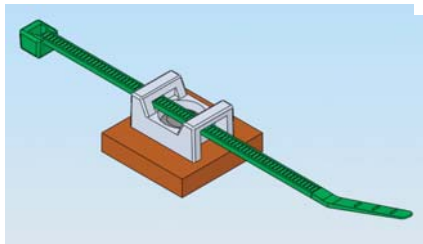
Other adhesives available by special order.

CABLE TIES & ACCESSORIES

FTH Flat Tie Holder



• UL #E71558



Features

- Cradle design provides stability to the wire bundle
- Can be mounted with a screw or rivet (see chart)

Fig. 1

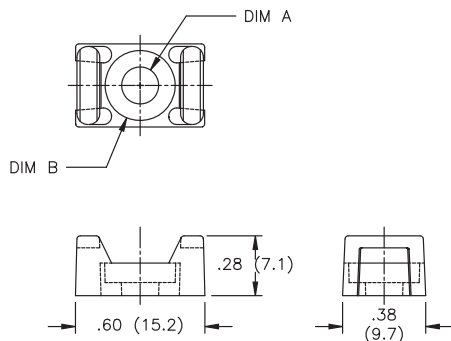


Fig. 2

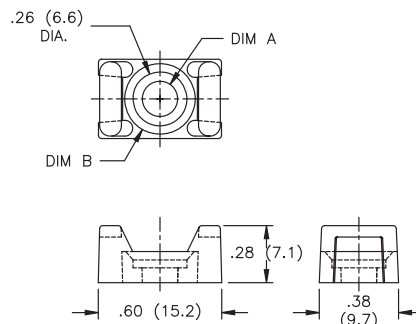
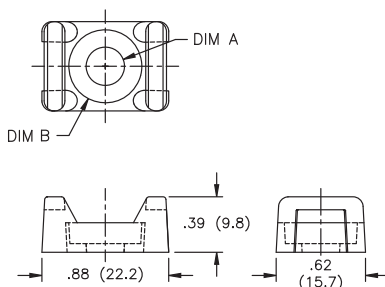


Fig. 3



MOUNTING RIVETS FOR FTH -13R-01		
RIVET NO.	HOLE DIA.	PANEL THICKNESS RANGE
SR-4050	.161 (4.1)	.018 - .058 (0.5 - 1.5)
SR-4060		.058 - .097 (1.5 - 2.5)
SR-4070		.097 - .137 (2.5 - 3.5)
SR-4080		.137 - .176 (3.5 - 4.5)
SR-4100		.215 - .255 (5.5 - 6.5)

See Page 52

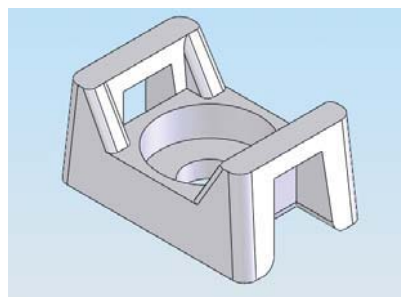
MOUNTING RIVETS FOR FTH -14R-01		
RIVET NO.	HOLE DIA.	PANEL THICKNESS RANGE
SR-5055	.201 (5.1)	.020 - .048 (0.5 - 1.2)
SR-5065		.048 - .087 (1.2 - 2.2)
SR-5075		.087 - .127 (2.2 - 3.2)
SR-5085		.127 - .166 (3.2 - 4.2)
SR-5095		.166 - .205 (4.2 - 5.2)
SR-5105		.205 - .245 (5.2 - 6.2)

See Page 52

Standard Mat'l: Nylon 6/6, RMS-01* Color: Natural	Fig.	Used with Ties	"A" Dia.	"B" Dia.	Recommended Mounting Method	Material Variations			
						UVB Stabilized Nylon 6/6, RMS-46 Color: Black	Flame Retardant Nylon 6/6, RMS-19 Color: Natural	Standard Package Suffix	
						-UVB	-19	-C	-M
FTH-13R-01	1	WIT-18 thru 60;	.17 (4.3)	.32 (8.1) C'bore	Rivet, See Table				
FTH-13S-01	2	QTE-18 thru 50		.32 (8.1) C'sink	#6 or M3 Flat or #8 or M4 Flat/Pan-head Screw	Special	Special	100	1,000
FTH-14R-01	3	WIT-18 thru 120;	.21 (5.2)	.38 (9.5) C'bore	Rivet, See Table				
FTH-14S-01		All QTE	.26 (6.6)	.49 (12.5) C'bore	1/4 or M6 Round or Pan-head Screw				

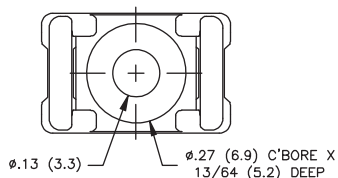
*UL94 V0 material available by special order only. To order, replace -01 with -19.

FTH-28RS-01 Flat Tie Holder



Features

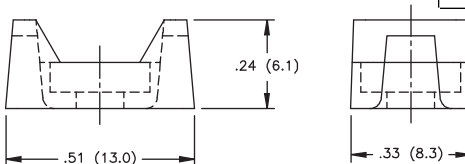
- Holder mounts with a SR-30XX series rivet (see table) or a #4 or M3 screw
- Accepts WIT-18 and QTE-18 ties



MOUNTING RIVETS FOR THE FTH-28RS		
RIVET NO.	HOLE DIA.	PANEL THICKNESS RANGE
SR-3035	.122-.126 (3.1-3.2)	UP TO .034 (0.9)
SR-3045		.034-.073 (0.9-1.9)
SR-3055		.073-.113 (1.9-2.9)
SR-3065		.113-.152 (2.9-3.9)
SR-3075		.152-.191 (3.9-4.9)
SR-3080		.172-.211 (4.4-5.4)
SR-3090		.211-.250 (5.4-6.4)
SR-3100		.250-.290 (6.4-7.4)

See Page 52

Material: Nylon 6/6, RMS-01* Color: Natural
Standard Pack: 1,000 per bag
*UL94 V0 material available by special order only. To order, replace -01 with -19.



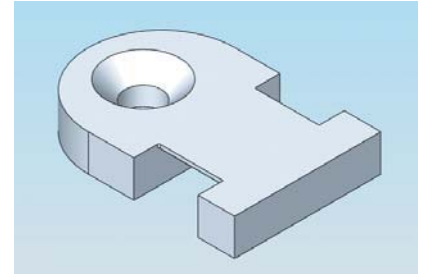
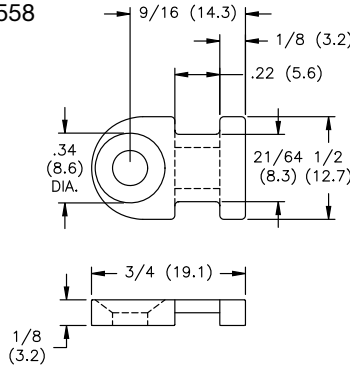
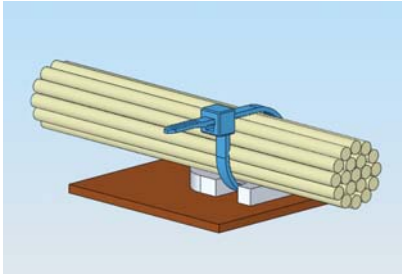
CABLE TIES & ACCESSORIES

FTH-1-01

Flat Tie Holder, Screw Mount



• UL #E71558



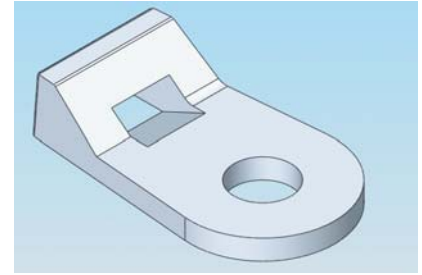
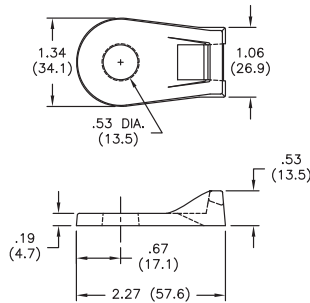
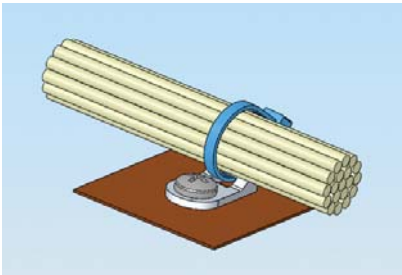
Features

- Low profile for use where space is limited
- Mounts with a #8-32 or M4 flat head screw
- Accepts WIT-18 thru -50 and QTE-18 thru -50 ties

Material: Nylon 6/6, RMS-01* • Color: Natural
Standard Pack: 100 (-C) or 1,000 (-M) per bag. Specify suffix when ordering.
*UL94 V0 material available by special order only. To order, replace -01 with -19.

FTH-17-8-01

Flat Tie Holder, Heavy Duty Screw Mount



Features

- Used in heavy duty applications
- Accepts all WIT and QTE ties

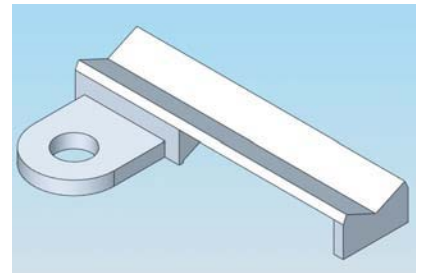
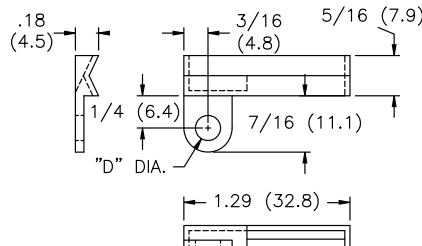
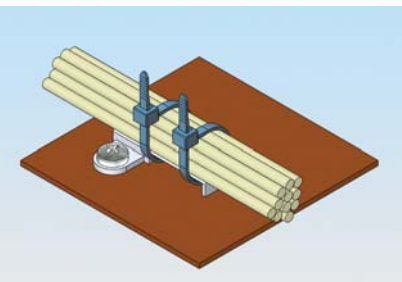
Material: Nylon 6/6, RMS-01* • Color: Natural
Standard Pack: 100 per bag
*UL94 V0 material available by special order only. To order, replace -01 with -19.

FTH-11

Flat Tie Holder, Screw Mount



• UL #E71558



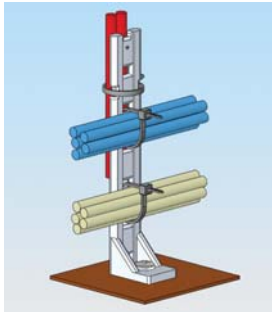
Features

- Harness lays snugly in V-groove
- Attach harness to holder with various cable ties
- Accepts WIT-18 thru -60 and QTE-18 thru -50 ties

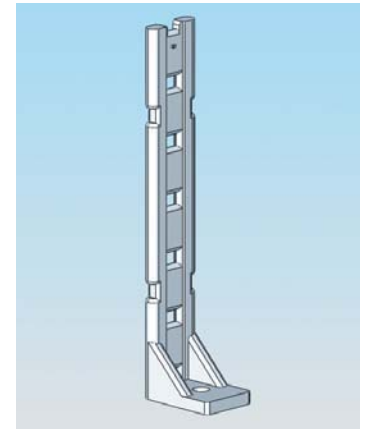
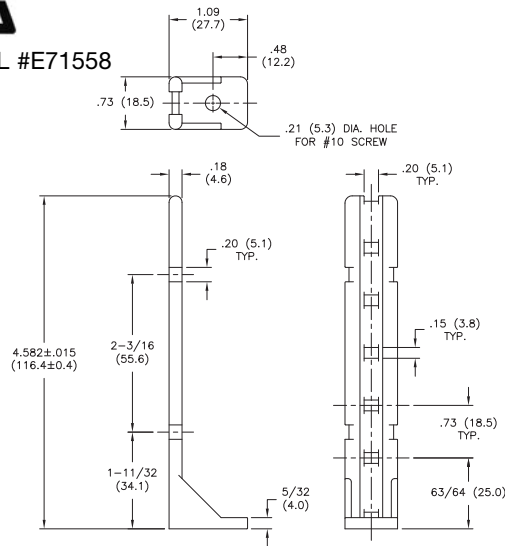
Material: Nylon 6/6, RMS-01* • Color: Natural		
Standard Pack: 100 per Bag		
Part No.	"D" Dia.	Recommended Mounting Screw
FTH-11-8-01	.170 (4.3)	#8 or M4
FTH-11-10-01	.195 (5)	#10 or M5
*UL94 V0 material available by special order only. To order, replace -01 with -19.		

CABLE TIES & ACCESSORIES

FTH-24-01 Flat Tie Holder, Screw Mount



• UL #E71558

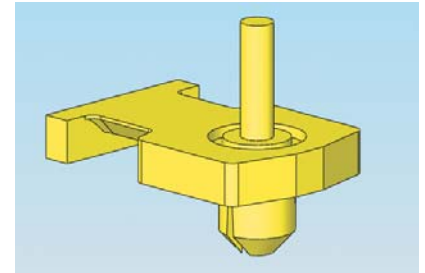
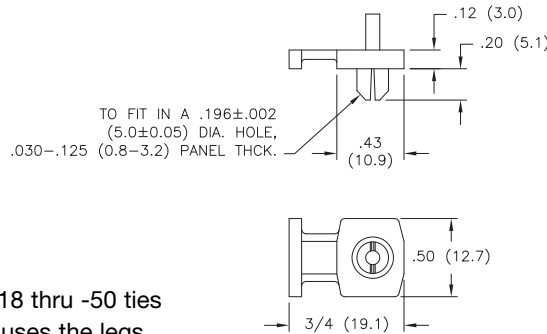
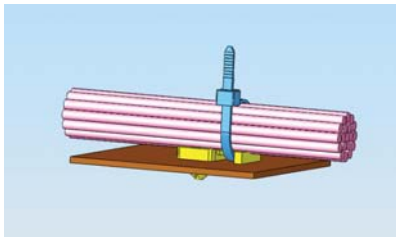


Features

- Mounts multiple harnesses above or away from surface
- Accepts WIT-18 thru -60 and QTE-18 thru -50 ties

Material: Nylon 6/6, RMS-01* • Color: Natural
Standard Pack: 100 per bag
*UL94 V0 material available by special order only.
To order, replace -01 with -19.

FTH-22-01 Flat Tie Holder, Self-Mount



Features

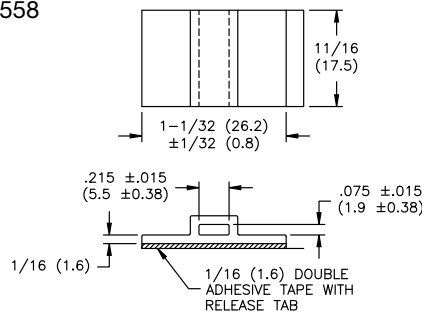
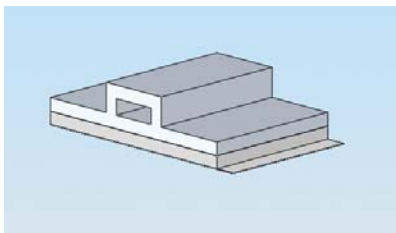
- Accepts WIT-18 thru -60 and QTE-18 thru -50 ties
- Driving the plunger into the rivet causes the legs to expand and grip the panel

Material: Nylon 6/6, RMS-01* • Color: Yellow
Standard Pack: 1,000 per bag
*UL94 V0 material available by special order only.
To order, replace -01 with -19.

FTH-2A-RT Flat Tie Holder on Adhesive Base



• UL #E71558



Features

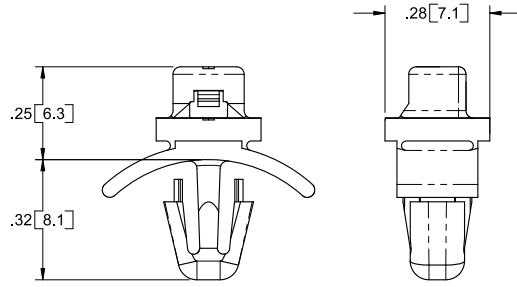
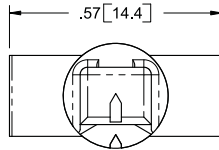
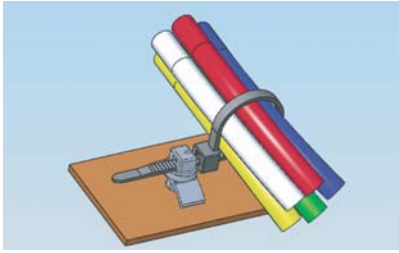
- Accepts WIT-18 thru -60 and QTE-18 thru -50 ties
- Double adhesive tape provides quick mounting

Material: Noryl, RMS-05 • Color: White
Standard Pack: 100 (-C) or 1,000 (-M) per bag.
Specify suffix when ordering
Acrylic Adhesive Tape, RMS-15

CABLE TIES & ACCESSORIES

FTH-30 Flat Tie Holder with Cable Tie Head

NEW



Features

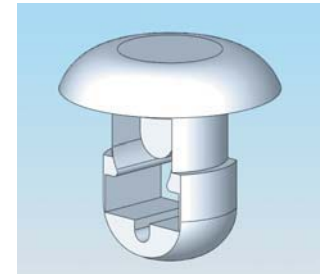
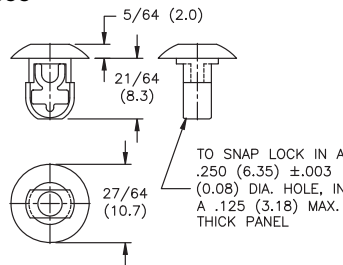
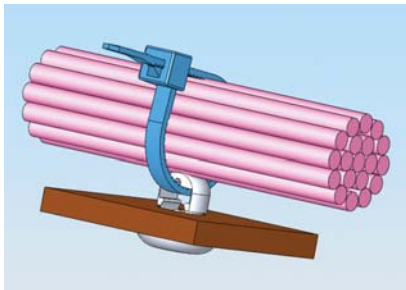
- Accepts all WIT-18 ties
- Designed with teeth inside so that it can hold the end of a cable tie the same way as a cable tie head
- Good for application in which a bundle is already wrapped. Simply insert the end of the cable tie for secure hold

Mat'l: Nylon 6/6, RMS-01* Color: Natural	
Part No.	Standard Pack: 1,000 per bag
	Hole Dia. ± .003 (.08)
FTH-30-01	.187 (4.76)
*Parts are available in UL94 V0 material by special order only. To order, replace -01 with -19.	

FTH-9-01 Flat Tie Holder



• UL #E71558



Features

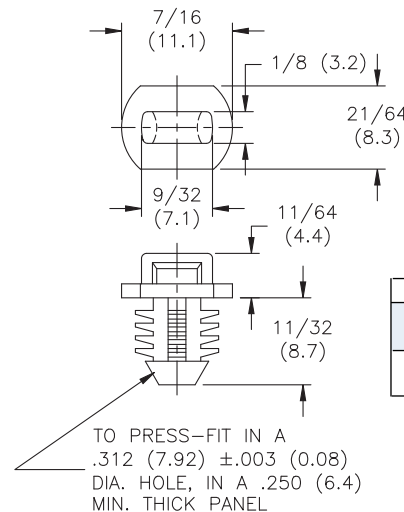
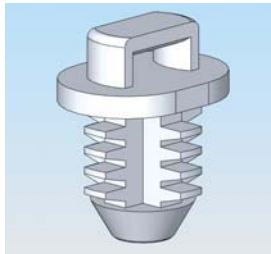
- For use when both sides of the panel are accessible
- Accepts WIT-18 thru -60 and QTE-18 thru -50 ties

Material: Nylon 6/6, RMS-01* • Color: Natural
Standard Pack: 100 (-C) or 1,000 (-M) per bag. Specify suffix when ordering.
*UL94 V0 material available by special order only. To order, replace -01 with -19.

FTH-15-01 Flat Tie Holder, Blind Hole



• UL #E71558



Features

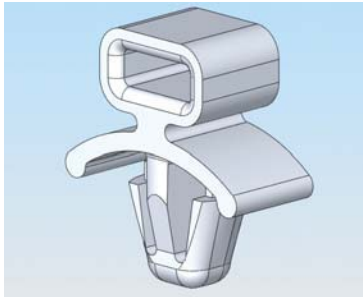
- Flexible ribs lock into round, oval, threaded, punched, drilled blind holes
- Blunt tip allows maximum grip in blind holes with minimum protrusion in pass-through applications
- Accepts WIT-18 thru -40 and QTE-18 ties

Material: Nylon 6/6, RMS-01* • Color: Natural
Standard Pack: 100 (-C) or 1,000 (-M) per bag. Specify suffix when ordering.
*UL94 V0 material available by special order only. To order, replace -01 with -19.

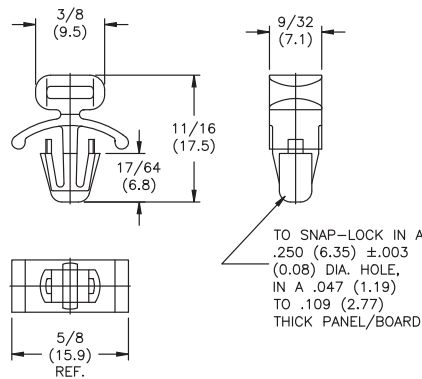
CABLE TIES & ACCESSORIES

FTH-6-01

Flat Tie Holder, Arrowhead



• UL #E71558



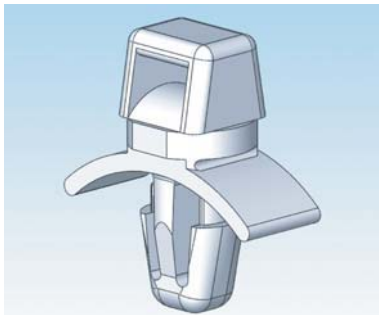
Features

- Inserted into drilled or punched holes
- Tension wings provide a tight fit to board
- Accepts WIT-18 thru -60 and QTE-18 thru -50 ties

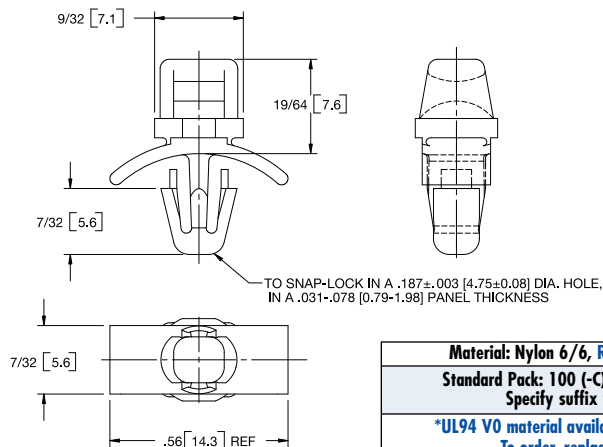
Material: Nylon 6/6, RMS-01* • Color: Natural
Standard Pack: 100 (-C) or 1,000 (-M) per bag. Specify suffix when ordering.
*UL94 V0 material available by special order only. To order, replace -01 with -19.

FTH-3-01

Flat Tie Holder, Arrowhead



• UL #E71558



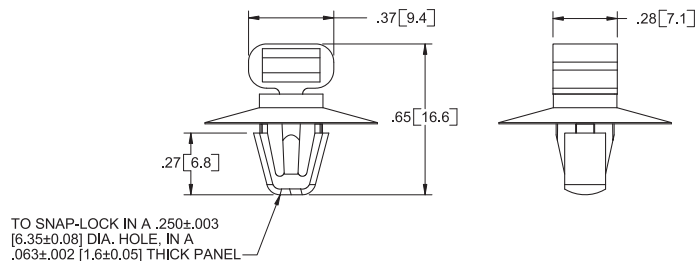
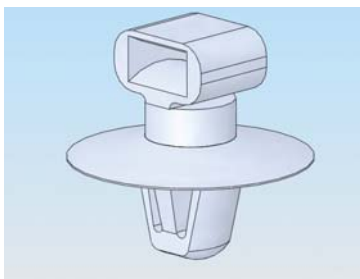
Features

- Accepts WIT-18 thru -40 and QTE-18 ties

Material: Nylon 6/6, RMS-01* • Color: Natural
Standard Pack: 100 (-C) or 1,000 (-M) per bag. Specify suffix when ordering.
*UL94 V0 material available by special order only. To order, replace -01 with -19.

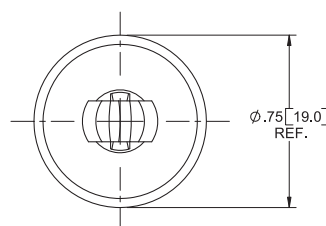
FTH-29-01

Flat Tie Holder, Cupped Base



Features

- Cupped base gives extra tensioning to the board as well as providing splash-proof protection
- Accepts WIT-18 thru -60 and QTE-18 & -50 ties



Material: Nylon 6/6, RMS-01* • Color: Natural
Standard Pack: 1,000 per bag
*UL94 V0 material available by special order only. To order, replace -01 with -19.