

## Card Guides

### General Features

In chassis and rack system applications, PCB access needs to be quick, accurate, safe and easily accessible to avoid damage to the components on the board, which need to be utilized without compromising on overall performance. Richco's series of card guides and pullers provide a solution to PCB safety and access for when routine installation, maintenance and repair needs to take place. Richco offers a range of vertical, horizontal mount and tensioning rack card guides. Vertical design keeps boards in place, yet allows easy slide in and slide out. Horizontal guides are available with a funnel entry for easier board insertion, while others come with tension grips, applying spring pressure to hold the board securely in place.

### Typical Applications

- Computers
- Telecommunications – Rack and panel systems
- Military equipment – Radar and intelligence equipment

### Material

Most of Richco's card guides and pullers are available in Nylon 6/6 or polycarbonate. Please contact your local Richco office for other material requirements.

## Pullers

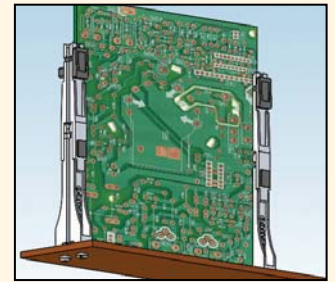
### General Features

Richco's pullers are designed to solve difficult insertion and extraction problems associated with removing large PCB's and tight gripping multi-pin edge connectors. Our pullers use a cam in/out action enabling leverages of up to 4:1. Ease of use, installation and protection from undue stress for damage-free insertions and extractions of PCB's, components, and connectors are the main benefits from the use of our pullers. Passivated stainless steel spring pins as per MIL-P-10971 are provided with certain ejectors. Richco pullers have been designed to meet the increasing need to support PCB's mounted in a vertical position in order to save space. Our wide selection accommodates various board sizes and allows for paired mounting and gang or tandem mounting. The use of standard fasteners simplifies mounting.

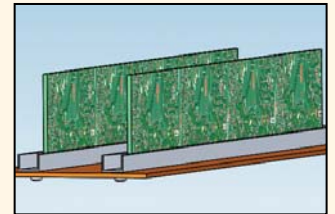
### Typical Applications

- Computers
- Telecommunications – Rack and panel systems
- Military equipment – Radar and intelligence equipment

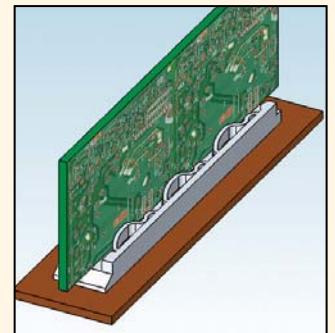
## Introduction



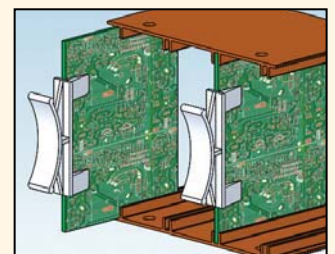
*Vertical Mount Card Guide*



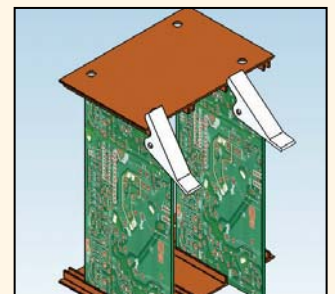
*Narrow Card Guide*



*Tension Rack Card Guide*



*Circuit Board Puller*

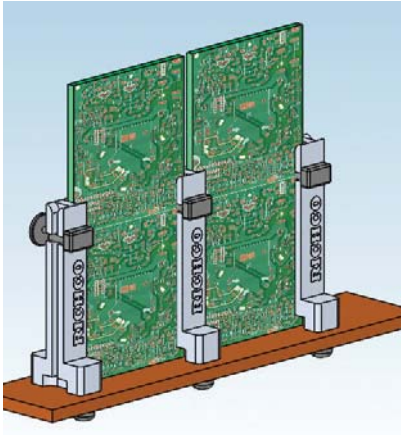


*Card Ejector*

# CARD GUIDES & PULLERS

## VMCG

### Vertical Mount Card Guides

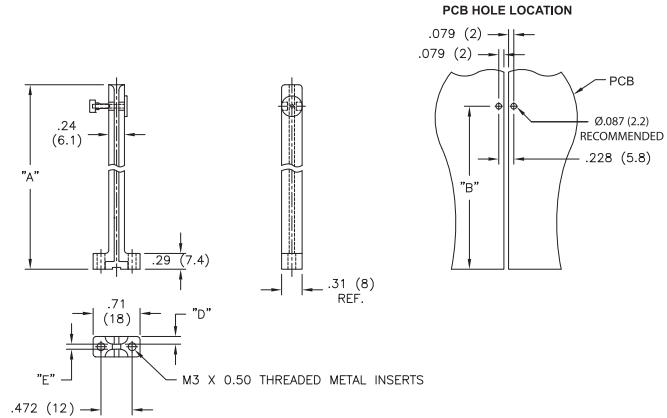


#### Features

- Double channel permits side-by-side mounting
- Screw mount card guides have metal threaded inserts for secure installation for up to .125 (3.18) panel thickness
- Includes mounting hardware: screw, washer and lockwasher

Fig. 1

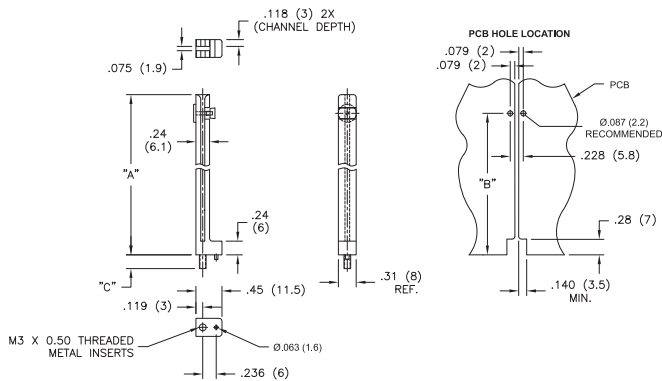
Accepts PCB: .062 (1.6)



Mounts into Hole: To accept M3 screw  
Mounts Into Panel: Up to .125 (3.18) using screw provided

Fig. 2

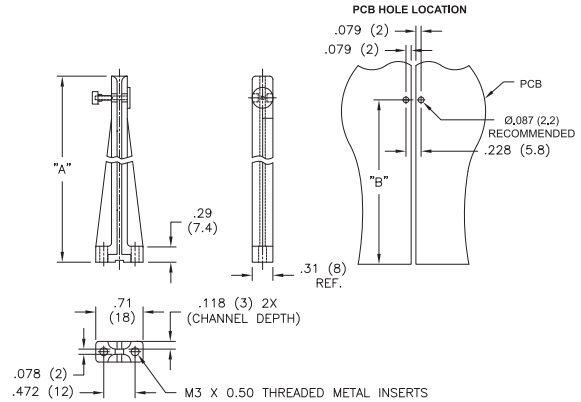
Accepts PCB: .062 (1.6)



Mounts Into Hole: To accept M3 screw  
Mounts Into Panel: Up to .125 (3.18)

Fig. 3

Accepts PCB: .062 (1.6)

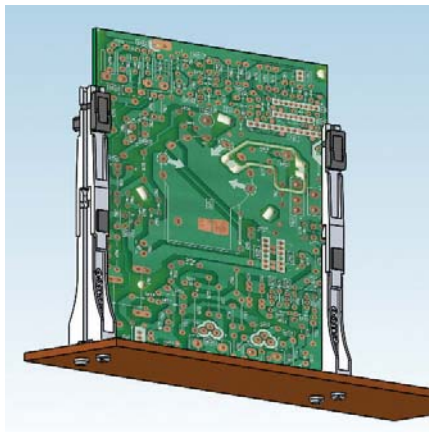


Mounts Into Hole: To accept M3 screw  
Mounts Into Panel: Up to .125 (3.18)

Mat'l: Card Guide: Glass-filled Nylon 6, RMS-38 Color: Gray; Pin: HDPE RMS-284 Color: Black; Screws & Washers: Stainless Steel, RMS-228; Inserts: Brass, RMS-231	VMCG		Standard Pack: 100 per bag			
	"A"	"B"	"C"	"D"	"E"	Fig.
VMCG-50-MPBK-K	1.83 (46.5)	1.67 (42.3)	-	.104 (2.6)	.105 (2.7)	1
VMCG-65-MPBK-K	2.56 (65)	2.22 (56.5)	-	.118 (3)	.079 (2)	1
VMCG-70-MPBK-K	2.76 (70)	2.44 (62.5)	.22 (5.5)	-	-	2
VMCG-90-MPBK-K	3.54 (90)	3.21 (81.5)	-	.118 (3)	.079 (2)	1
VMCG-100-MPBK-K	3.94 (100)	3.62 (92)	.35 (9)	-	-	2
VMCG-135-MPBK-K	5.31 (135)	4.98 (126.5)	-	.118 (3)	.079 (2)	1
VMCG-160-MPBK-K	6.30 (160)	4.43 (112.5)	-	.118 (3)	.079 (2)	1
VMCG-320-MPBK-K	4.73 (120)	4.43 (112.5)	-	-	-	3
VMCG-330-MPBK-K	4.73 (120.1)	4.43 (112.5)	-	.118 (3)	.079 (2)	1
VMCG-360-MPBK-K	6.30 (160)	4.43 (112.5)	-	-	-	3

## VMCGN

### Vertical Mount Card Guides



#### Features

- Extension piece (VMCGN-EX-40) can be purchased separately to add height to the guide
- Part numbers ending in “-K” include M3 threaded screw, washer and lock washer mounting hardware

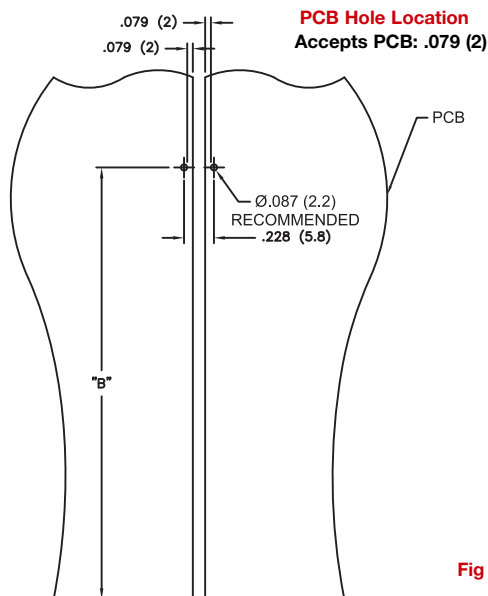


Fig 2 + Fig. 3 Assembly

Fig. 1  
Base

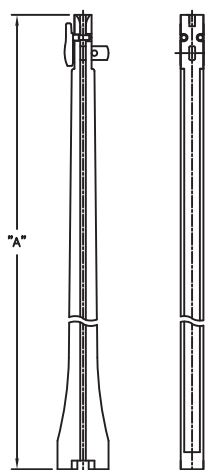


Fig. 2  
Base

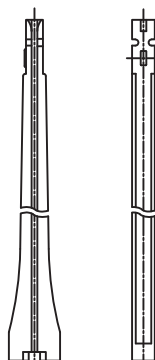
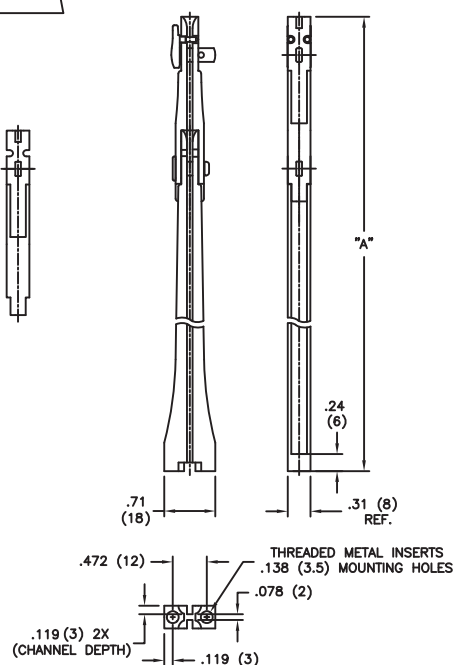
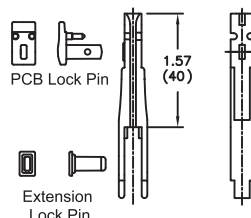


Fig. 3  
Extension



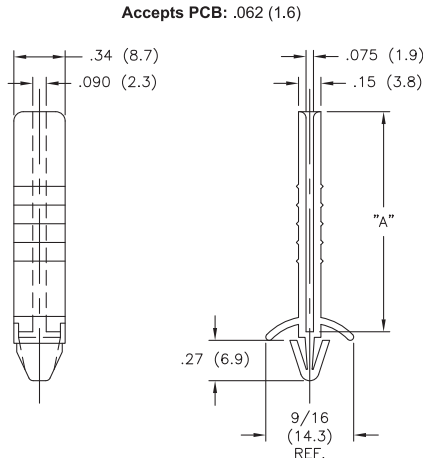
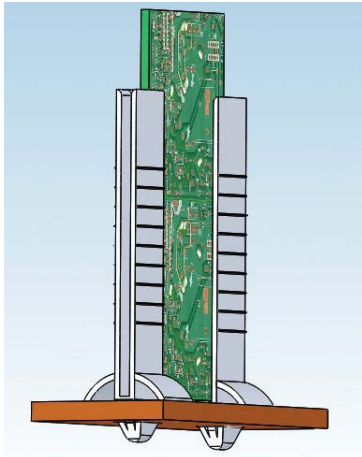
Material: Flame Retardant Polystyrene, RMS-117 Color: Card Guide - Blue, Locking Pins-White	Standard Pack: 100 per bag			
	"A"	"B"	Threaded Insert	Fig.
VMCGN-065-M3-LSWT-K	2.56 (65)	2.24 (57)	M3	1
VMCGN-065-4/40-LSWT			4/40	
VMCGN-105-M3-LSWT-K	4.13 (105)	3.82 (97)	M3	2 + 3
VMCGN-105-4/40-LSWT			4/40	
VMCGN-120-M3-LSWT-K	4.72 (120)	4.41 (112)	M3	1
VMCGN-120-4/40-LSWT			4/40	
VMCGN-160-M3-LSWT-K	6.30 (160)	5.98 (152)	M3	2 + 3
VMCGN-160-4/40-LSWT			4/40	
VMCGN-EX-40	1.57 (40)	1.26 (32)	-	3

VMCGN-EX-40 is supplied with (1) PC Board Lock Pin and (1) Extension Lock Pin.



# CARD GUIDES & PULLERS

## CBG Circuit Board Guide



**Mounts Into Hole:** Snap-lock into rectangular hole  
 .175±.003 (4.4±0.08) X .310±.003 (7.9±0.08)  
**Mounts Into Panel:** .030 - .070 (0.8 - 1.8)

Standard Pack: 100 per bag	
Mat'l: Nylon 6/6, RMS-01* Color: Natural	"A" ± .015 (±0.4)
CBG-1-01	1.0 (25.4)
CBG-1.5-01	1.5 (38.1)
CBG-2-01	2.0 (50.8)
CBG-3-01	3.0 (76.2)

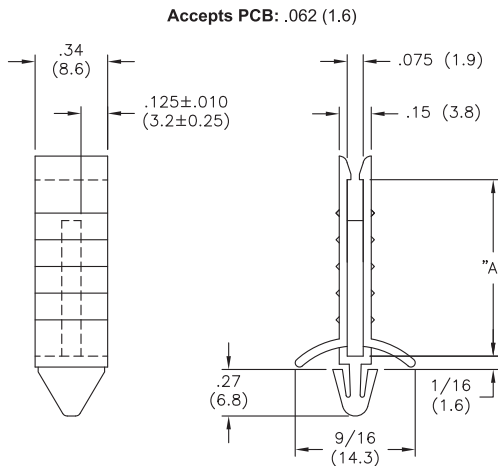
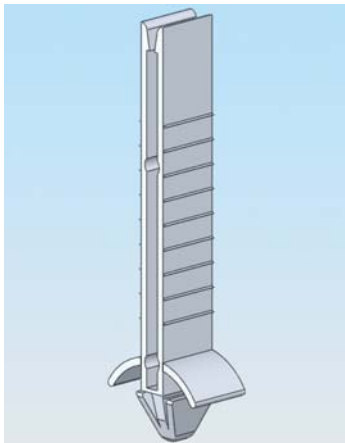
\*Available in UL94 V0 material by special order.  
 To order, replace -01 with -19.

### Features

- Vertical mount for boards of any width
- Double channel permits side-by-side mounting

## LCBG

### Locking Circuit Board Guide



**Mounts Into Hole:** Snap-lock into rectangular hole  
 .175±.003 (4.45±0.08) X .310±.003 (7.87±0.08)  
**Mounts Into Panel:** .030 - .070 (0.76 - 1.78)

Standard Pack: 100 per bag	
Mat'l: Nylon 6/6, RMS-01* Color: Natural	"A" ± .010 (0.25)
LCBG-1-01	.880 (22.4)
LCBG-1.5-01	1.375 (34.9)
LCBG-2-01	1.870 (47.5)
LCBG-3-01	2.875 (73)

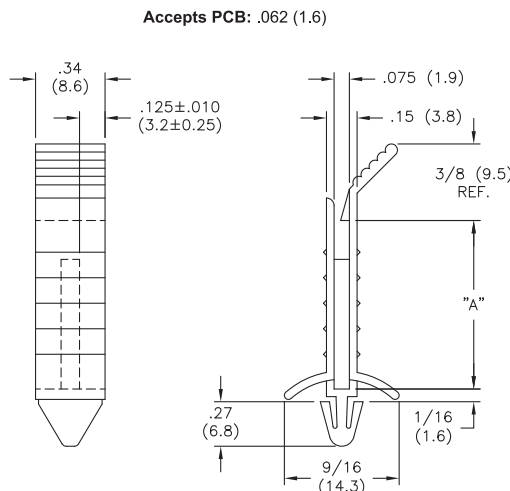
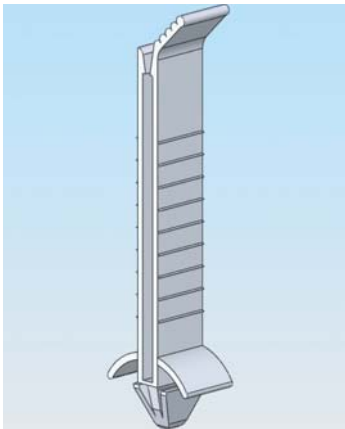
\*Available in UL94 V0 material by special order.  
 To order, replace -01 with -19.

### Features

- Locking tab holds the PBC vertically in place

## LCBG-T

### Locking Circuit Board Guide



**Mounts Into Hole:** Snap-lock into rectangular hole  
 .175±.003 (4.45±0.08) X .310±.003 (7.87±0.08)  
**Mounts Into Panel:** .030 - .070 (0.76 - 1.78)

Standard Pack: 100 per bag	
Mat'l: Nylon 6/6, RMS-01* Color: Natural	"A" ± .010 (0.25)
LCBG-1T-01	.880 (22.4)
LCBG-1.5T-01	1.375 (34.9)
LCBG-2T-01	1.870 (47.5)
LCBG-3T-01	2.875 (73)

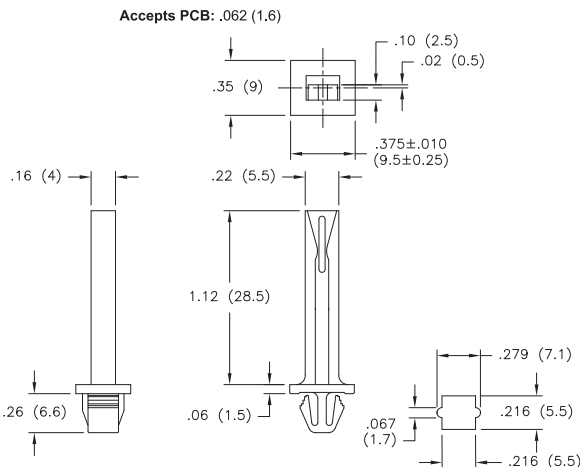
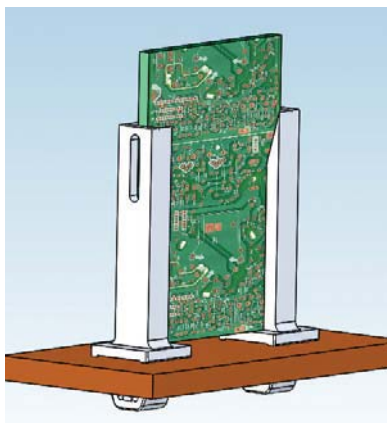
\*Available in UL94 V0 material by special order.  
 To order, replace -01 with -19.

### Features

- PCB is easily removed by pulling on the release tab

# CARD GUIDES & PULLERS

## VMCGE-30M-01 Vertical Mount Guide



Mounts Into Hole: Snap-lock into above dimensions  $\pm 0.03$  (0.08)  
Mounts Into Panel: .047 - .071 (1.2 - 1.8)

Standard Pack: 1,000 per bag

Mat'l: Nylon  
6/6, RMS-01\*  
Color: Natural

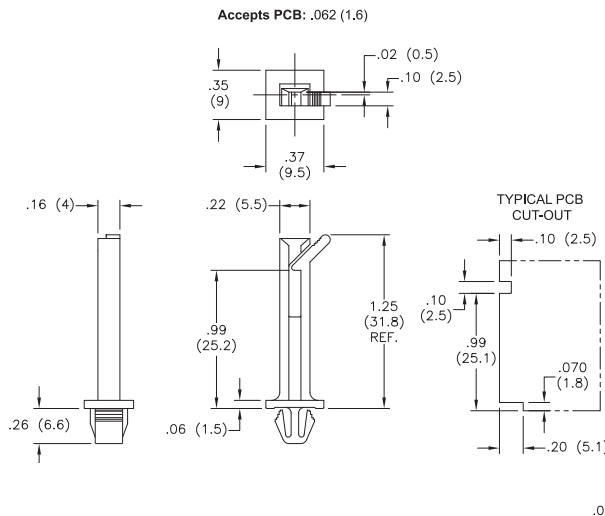
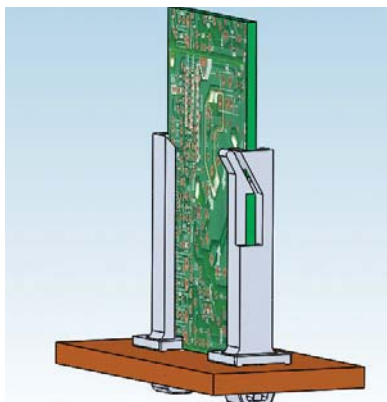
\*Available in UL94 V0 material  
by special order.  
To order, replace -01 with -19.

### Features

- Square mounting hole has anti-rotation benefits

B

## VMCGLE-31M-01 Vertical Mount Guide Latched



Mounts Into Hole: Snap-lock into dimensions above,  $\pm 0.03$  (0.08)  
Mounts Into Panel: .047 - .071 (1.2 - 1.8)

Standard Pack: 1,000 per bag

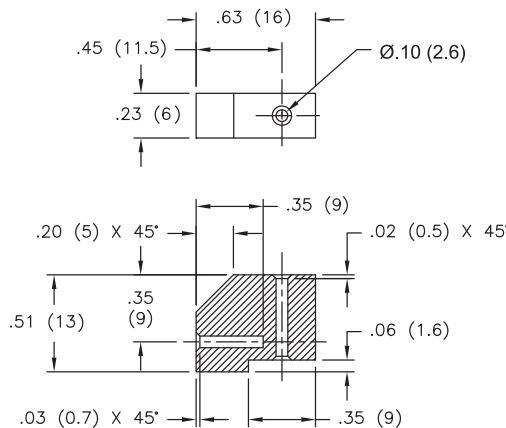
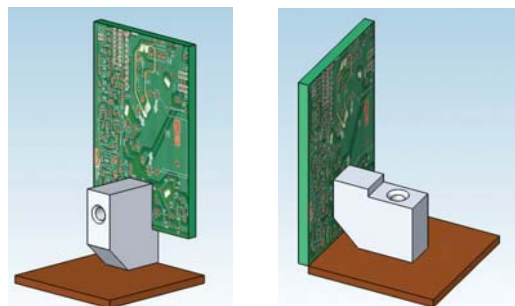
Mat'l: Nylon  
6/6, RMS-01\*  
Color: Natural

\*Available in UL94 V0 material  
by special order.  
To order, replace -01 with -19.

### Features

- PCB is easily removed by pulling on the release tab

## PCB-MB-01 Printed Circuit Board Mounting Block



Mounting Holes: To accept a metal #4 self-tapping screw type B

Standard Pack: 1,000 per bag

Mat'l: Nylon  
6/6, RMS-01\*  
Color: Natural

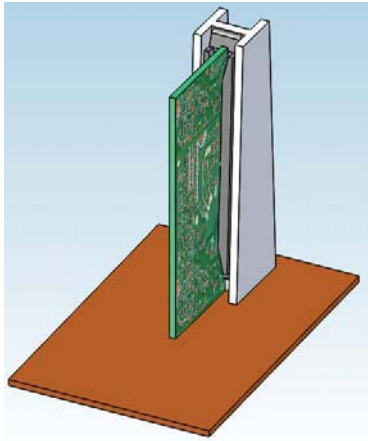
\*Available in UL94 V0 material  
by special order.  
To order, replace -01 with -19.

### Features

- Mounts PC boards to chassis or other PC boards
- Different mounting configurations are possible to fit specific application needs

# CARD GUIDES & PULLERS

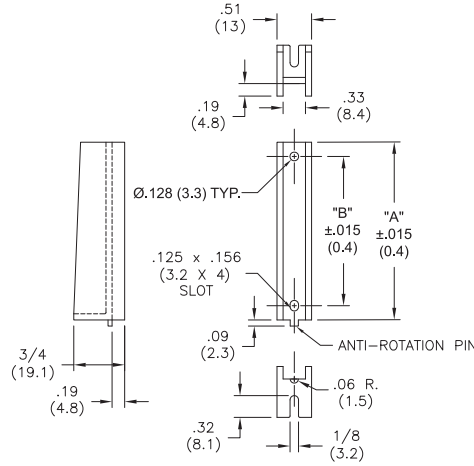
## TCGVM & TCG Tension Card Guide Vertical Mount & Tension Card Guide



B

### TCGVM

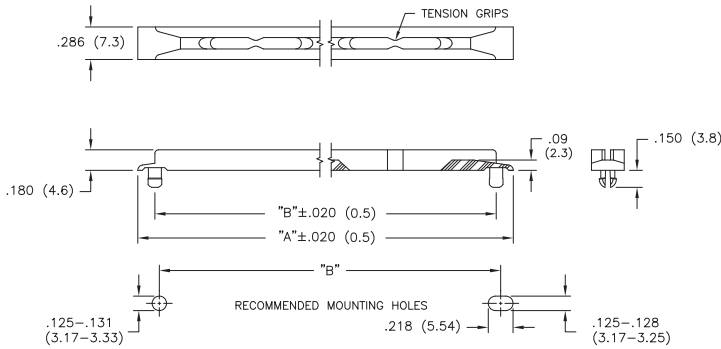
Accepts TCG Series Card Guide



Mounts Into Hole: To accept #4 or #5 screw or rivet

### TCG

Accepts PCB: .062 (1.6)



Mounts Into Hole: Snap-lock into dimensions above  
Mounts Into Panel: .062 (1.6)

TCGVM		Standard Pack: 100 per bag	
Mat'l: UL94 VO Polycarbonate RMS-23 Color: Black	"A"	"B"	Used with
TCGVM1-2.500-23	2.62 (66.6)	2.20 (55.9)	TCG1-2.500-23
TCGVM1-3.300-23	3.42 (86.9)	3.00 (76.2)	TCG1-3.300-23
TCGVM1-3.925-23	4.05 (102.9)	3.63 (92.29)	TCG1-3.925-23
TCGVM1-6.675-23	6.80 (172.7)	6.38 (162)	TCG1-6.675-23

### Features

- Works with TCG to mount boards vertically
- Snap TCG into TCGVM and install assembled unit with a #4 or #5 screw

TCG		Standard Pack: 500 per bag	
Mat'l: UL94 VO Polycarbonate RMS-23 Color: Black	Nominal "A"	Nominal "B"	Number of Grips
TCG1-2.500-23	2.500 (63.5)	2.200 (55.9)	1
TCG1-3.300-23	3.300 (83.8)	3.000 (76.2)	2
TCG1-3.925-23	3.925 (99.7)	3.625 (92.1)	2
TCG1-6.675-23	6.675 (169.5)	6.375 (161.9)	4

### Features

- Tension grips apply spring pressure to hold boards firmly
- Funnel entry for easy board insertion

## Notes

---

---

---

---

---

---

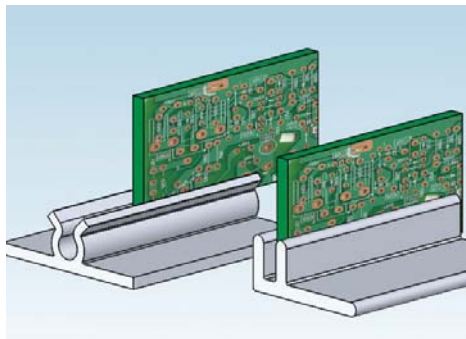
---

---

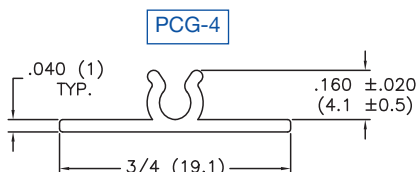
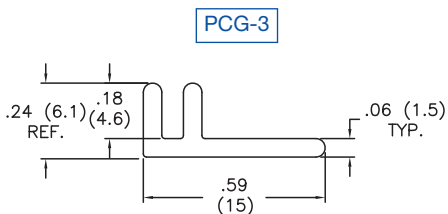
---

---

## PCG Printed Circuit Guide



Accepts PCB: .062 (1.6)

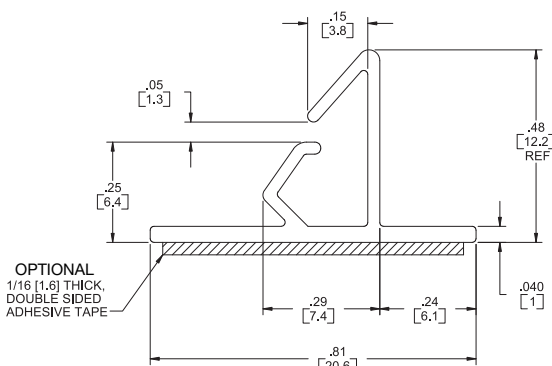
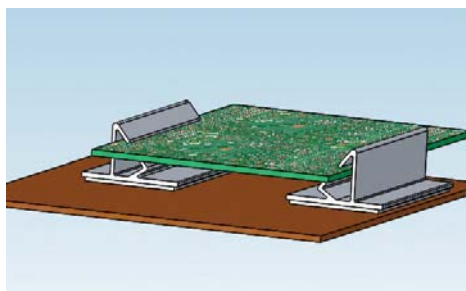


Part No.	Material	Adhesive
PCG-3-48	ABS, RMS-09 Color: Gray	N/A
PCG-3A-48	ABS, RMS-09 Color: Gray	Acrylic, RMS-15
PCG-4-48	PVC, RMS-04 Color: Gray	N/A
PCG-4A-48	PVC, RMS-04 Color: Gray	Acrylic, RMS-15
<b>Standard Pack: 100 feet: 25 pieces x 48", (25 pieces x 1,219.2mm) lengths</b>		
<b>Custom cut lengths and/or drilling is available by special order.</b>		

### Features

- Extruded design allows for parts to be easily supplied in custom lengths

## BMS Board Mounting Strip

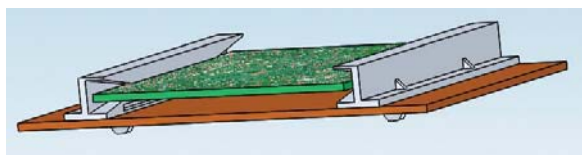


### Features

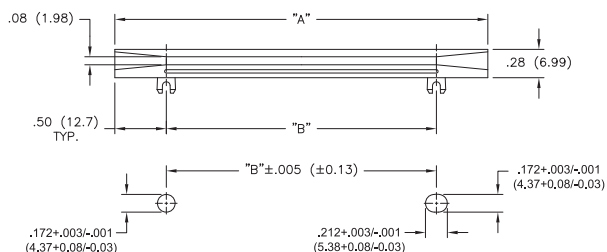
- Mounts boards of any length or width

Part No.	Material	Adhesive
BMS-S-48	PVC, RMS-04 Color: Black	N/A
BMS-SA-48	PVC, RMS-04 Color: Black	Acrylic, RMS-15
<b>Standard Pack: 100 feet: 25 pieces x 48", (25 pieces x 1,219.2mm) lengths</b>		
<b>Custom cut lengths are available by special order.</b>		

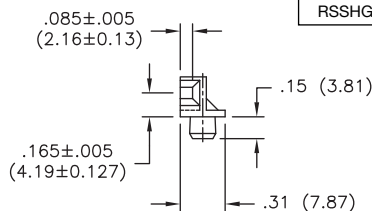
## RSSHG Single Sided Horizontal Card Guide



Accepts PCB: .062 (1.6)



Mounts Into Holes Above  
Mounts Into Panel: .047 - .090 (1.2 - 2.3)



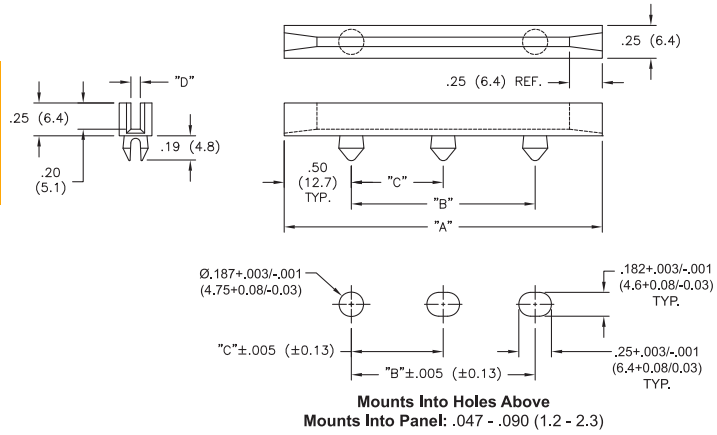
RSSHG		Standard Pack: 500 per bag
Mat'l: UL94 VO Nylon 6/6, RMS-66 Color: Black	"A" ± .016 (0.4)	"B" ± .016 (0.4)
RSSHG-201-165	2.0 (50.8)	1.0 (25.4)
RSSHG-251-165	2.5 (63.5)	1.5 (38.1)
RSSHG-301-165	3.0 (76.2)	2.0 (50.8)
RSSHG-351-165	3.5 (88.9)	2.5 (63.5)
RSSHG-401-165	4.0 (101.6)	3.0 (76.2)
RSSHG-451-165	4.5 (114.3)	3.5 (88.9)
RSSHG-501-165	5.0 (127)	4.0 (101.6)
RSSHG-551-165	5.5 (139.7)	4.5 (114.3)
RSSHG-601-165	6.0 (152.4)	5.0 (127)

# CARD GUIDES & PULLERS

## RDC

### Deep Channel Card Guide

Accepts PCB: See Table



RDC				Standard Pack: 500 per bag	
Mat'l: UL94 V0 Nylon 6/6, RMS-66 Color: Black	"A" Ref.	"B" ± .025 (0.63)	"C" ± .015 (0.38)	Nominal Board Thickness	"D" ± .005 (0.13)
RDC-250	2.5 (63.5)	1.50 (38.1)	-	1/16 (1.6)	.080 (2)
RDC-450	4.5 (114.3)	3.50 (88.9)	-		
RDC-600	6.0 (152.4)	5.00 (127)	-		
RDC-800	8.0 (203.2)	7.00 (177.8)	3.50 (88.9)	3/32 (2.4)	.102 (2.6)
RDC-450-102	4.5 (114.3)	3.50 (88.9)	-		
RDC-600-102	6.0 (152.4)	5.00 (127)	-		
RDC-800-102	8.0 (203.2)	7.00 (177.8)	3.50 (88.9)	1/8 (3.2)	.132 (3.4)
RDC-450-130	4.5 (114.3)	3.50 (88.9)	-		
RDC-600-130	6.0 (152.4)	5.00 (127)	-		
RDC-800-130	8.0 (203.2)	7.00 (177.8)	3.50 (88.9)		

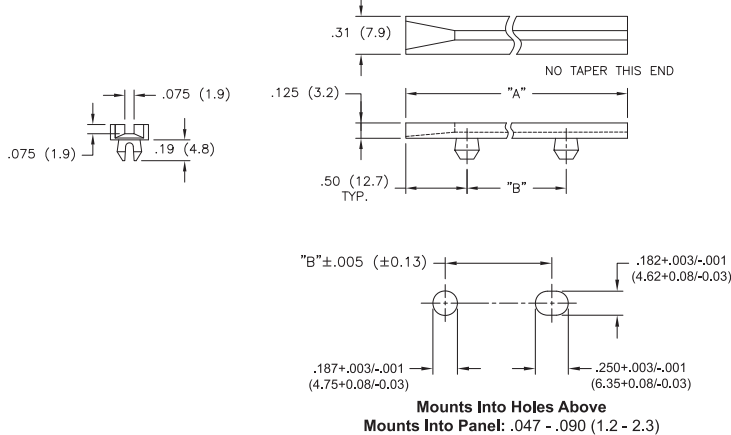
### Features

- Allows for maximum board retention for high vibration, shock applications and wide boards
- Funnel entry for easy board insertion
- Slotting or elongating of 2nd and 3rd mounting hole is recommended to allow for length variations in molding and assembly ease

## RSFS

### Snap-In Card Guide

Accepts PCB: .062 (1.6)



RSFS			Standard Pack: 500 per bag		
Mat'l: Nylon 6/6, RMS-48 Color: Natural	"A" Ref.	"B" ± .025 (0.63)	"C"	"D"	"E"
RSFS-250	2.5 (63.5)	1.5 (38.1)	.125 (3.2)	.075 (1.9)	.19 (4.8)
RSFS-300	3.0 (76.2)	2.0 (50.8)			
RSFS-350	3.5 (88.9)	2.5 (63.5)			
RSFS-400	4.0 (101.6)	3.0 (76.2)			
RSFS-450	4.5 (114.3)	3.0 (76.2)			
RSFS-451	4.5 (114.3)	3.5 (88.9)			
RSFS-500	5.0 (127)	4.0 (101.6)			
RSFS-550	5.5 (139.7)	4.5 (114.3)			
RSFS-600	6.0 (152.4)	5.0 (127)			
RSFS-650	6.5 (164.1)	5.0 (127.5)			
RSFS-651	6.5 (164.1)	5.5 (139.7)			
RSFS-700	7.0 (177.8)	6.0 (152.4)			
RSFS-750	7.5 (190.5)	6.5 (165.1)			
RSFS-800	8.0 (203.2)	7.0 (177.8)			

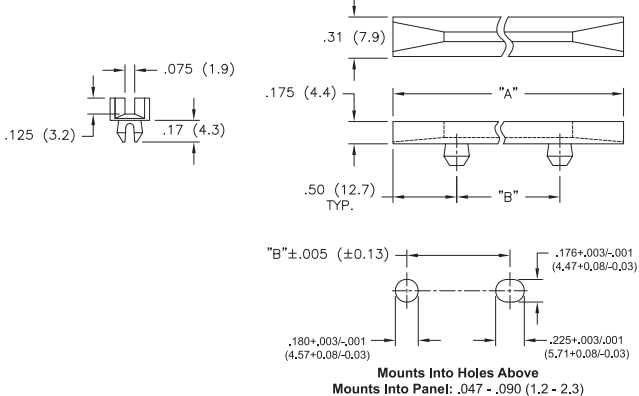
### Features

- Funnel entry for easy board insertion
- Interchangeable card guides for 1/16"(1.6mm) printed circuit boards

## RSDC

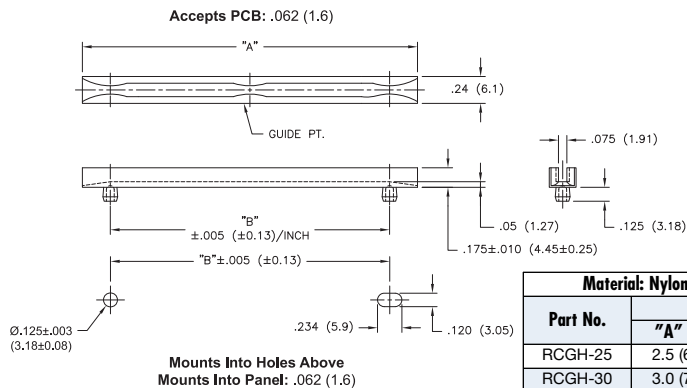
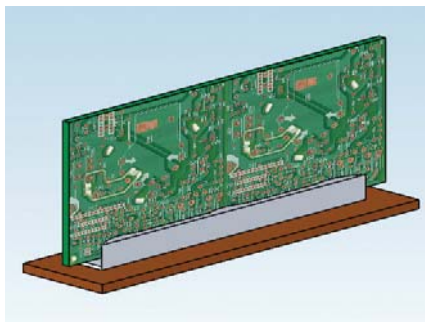
### Snap-In Card Guide

Accepts PCB: .062 (1.6)



RSDC			Standard Pack: 500 per bag		
Mat'l: Nylon 6/6, RMS-48 Color: Natural	"A" Ref.	"B" ± .016 (0.41)	"C"	"D"	"E"
RSDC-250	2.5 (63.5)	1.5 (38.1)	.175 (4.4)	.125 (3.2)	.17 (4.3)
RSDC-300	3.0 (76.2)	2.0 (50.8)			
RSDC-350	3.5 (88.9)	2.5 (63.5)			
RSDC-400	4.0 (101.6)	3.0 (76.2)			
RSDC-450	4.5 (114.3)	3.5 (88.9)			
RSDC-500	5.0 (127)	4.0 (101.6)			
RSDC-550	5.5 (139.7)	4.5 (114.3)			
RSDC-600	6.0 (152.4)	5.0 (127)			
RSDC-650	6.5 (164.1)	5.5 (139.7)			
RSDC-700	7.0 (177.8)	6.0 (152.4)			
RSDC-750	7.5 (190.5)	6.5 (165.1)			
RSDC-800	8.0 (203.2)	7.0 (177.8)			

## RCGH Rack Card Guide Type H



**Material: Nylon 6/6, RMS-01\* • Color: Natural**

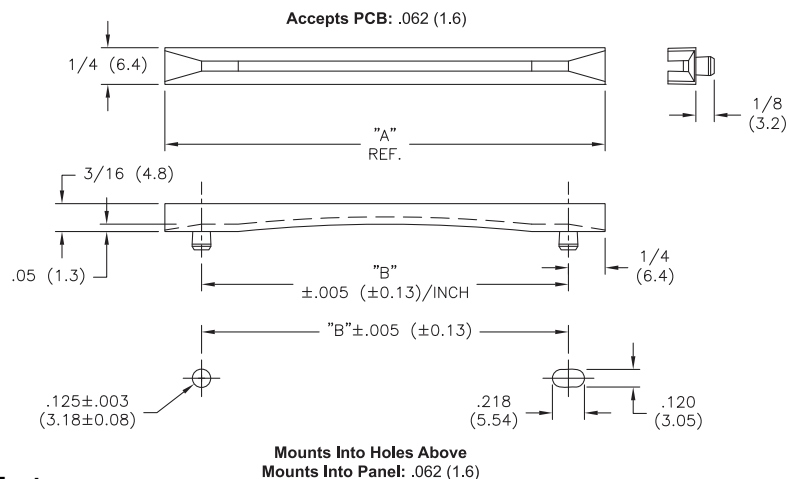
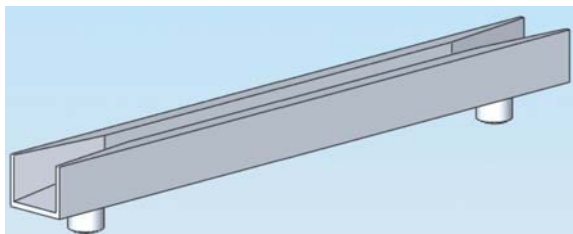
Part No.	Standard Pack: 500 per bag		
	"A" Ref.	"B"	Guide PT.
RCGH-25	2.5 (63.5)	2.0 (50.8)	2
RCGH-30	3.0 (76.2)	2.5 (63.5)	3
RCGH-35	3.5 (88.9)	3.0 (76.2)	3
RCGH-40	4.0 (101.6)	3.5 (88.9)	3
RCGH-45	4.5 (114.3)	4.0 (101.6)	4
RCGH-50	5.0 (127)	4.5 (114.3)	4
RCGH-55	5.5 (139.7)	5.0 (127)	5
RCGH-60	6.0 (152.4)	5.5 (139.7)	5

*\*Available in UL94 VO material by special order.*

### Features

- For quick installation, insert rear pin into slot and snap front pin into hole
- Hollow pin design eases insertion

## RCG Rack Card Guide



**Material: Nylon 6/6, RMS-01\* • Color: Natural**

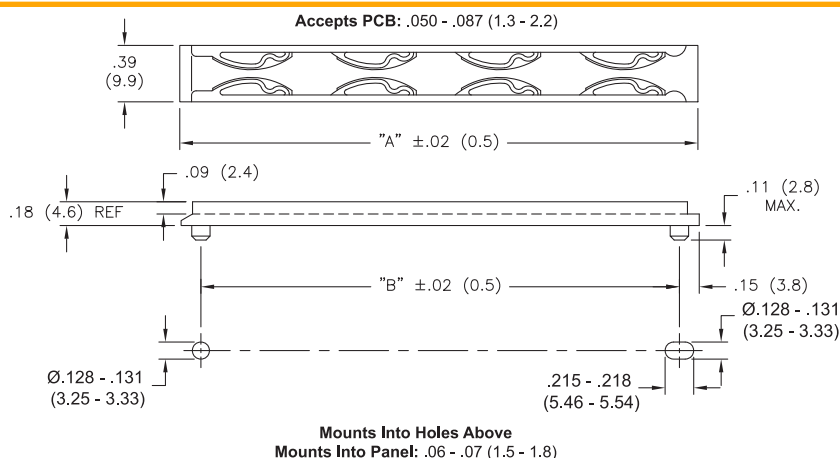
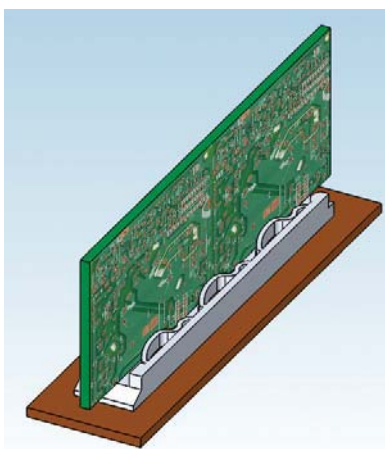
Part No.	Standard Pack: 500 per bag	
	"A"	"B"
RCG-1	3.0 (76.2)	2.5 (63.5)
RCG-2	4.0 (101.6)	3.5 (88.9)
RCG-3	6.0 (152.4)	5.5 (139.7)
RCG-4	8.5 (215.9)	8.0 (203.2)

*\*Available in UL94 VO material by special order.*

### Features

- Funnel entry for easy board insertion

## TRCG Tension Rack Card Guide



**Material: UL94 VO Polycarbonate, RMS-23 • Color: Black**

Part No.	Standard Pack: 500 per bag	
	"A"	"B"
TRCG-2.500	2.50 (63.5)	2.2 (55.9)
TRCG-3.300	3.30 (83.8)	3.0 (76.2)
TRCG-3.925	3.93 (99.7)	3 - 5/8 (92.1)
TRCG-6.675	6.68 (169.6)	6 - 3/8 (161.9)

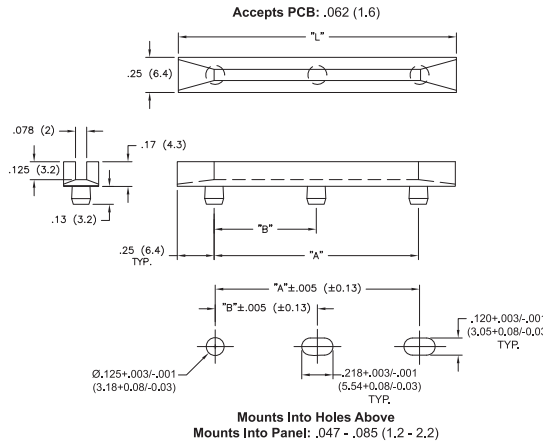
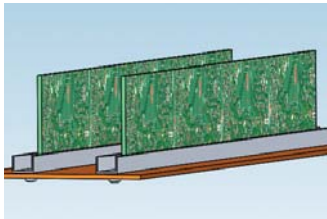
### Features

- Tension grips apply spring pressure to hold boards firmly

# CARD GUIDES & PULLERS

## RN

### Narrow Card Guide



RN		Standard Pack: 500 per bag		
Mat'l: Nylon 6/6, RMS-48* Color: Natural	"L" ± .03 (0.8)	"A" ± .024 (0.6)	"B" ± .016 (0.4)	
RN-250-2	2.5 (63.5)	2.0 (50.8)	-	
RN-300-2	3.0 (76.2)	2.5 (63.5)	-	
RN-350-2	3.5 (88.9)	3.0 (76.2)	-	
RN-400-2	4.0 (101.6)	3.5 (88.9)	-	
RN-450-2	4.5 (114.3)	4.0 (101.6)	-	
RN-500-2	5.0 (127)	4.5 (114.3)	-	
RN-550-2	5.5 (139.7)	5.0 (127)	-	
RN-600-2	6.0 (152.4)	5.5 (139.7)	-	
RN-650-2	6.5 (164.1)	6.0 (152.4)	-	
RN-700-3	7.0 (177.8)	6.5 (164.1)	3.25 (82.2)	
RN-750-3	7.5 (190.5)	7.0 (177.8)	3.5 (88.5)	
RN-800-3	8.0 (203.2)	7.5 (190.5)	3.75 (94.9)	
RN-850-3	8.5 (215.5)	8.0 (203.2)	4.0 (101.6)	

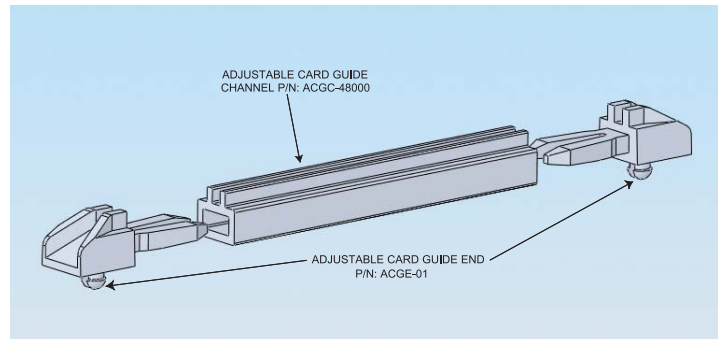
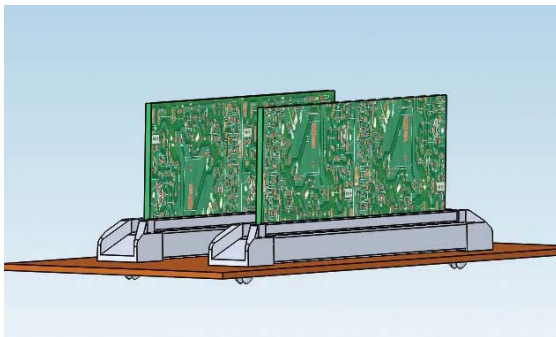
\*Available in UL94 V0 material by special order only.

#### Features

- Design allows for use in high density applications

## ACGC/ACGE

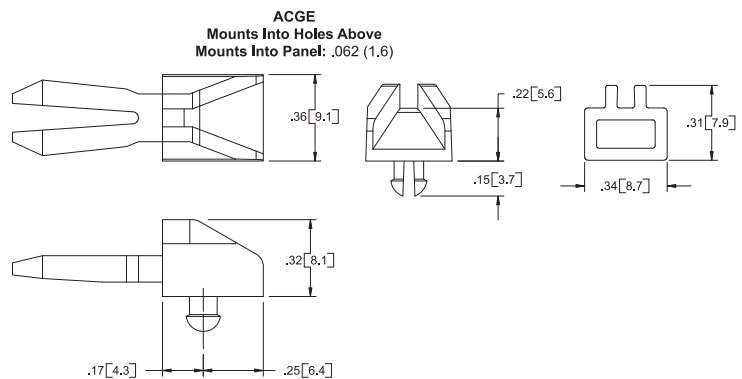
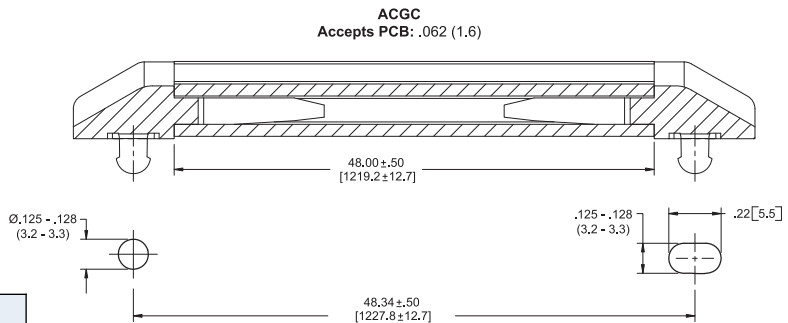
### Adjustable Card Guide



#### Features

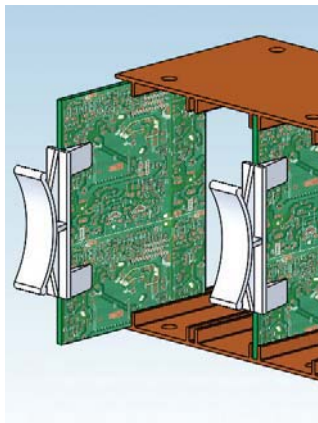
- Adjustable design: Insert ACGE-01 end pieces into ACGC channel and snap into chassis hole
- Channel can be cut to any length, providing infinite sizes

Part No.	Description	Material	Standard Pack
ACGE-01	End pieces	Nylon 6/6, RMS-01 Color: Natural	100 per bag
ACGC-48000	Channel	PVC, RMS-04 Color: Natural	100 feet: 25 pieces x 48" (25 pieces x 1,219.2mm)

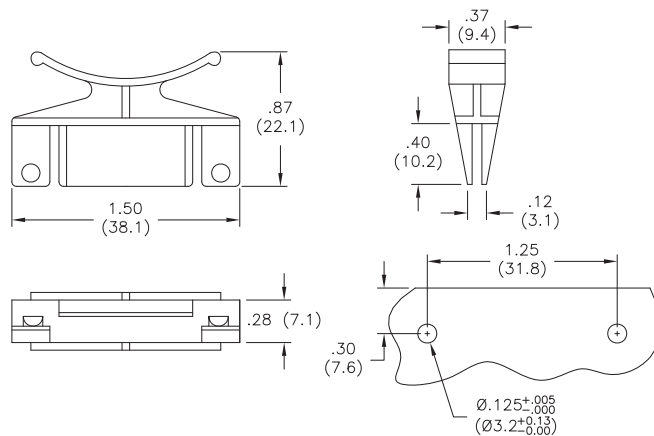


# CARD GUIDES & PULLERS

## CCP Circuit Board Puller



Mounts Into PCB: Snap-fit onto .062 (1.6)



Mounts Into Holes Above

Standard Pack: 500 per bag

Mat'l: Nylon  
6/6, RMS-01\*

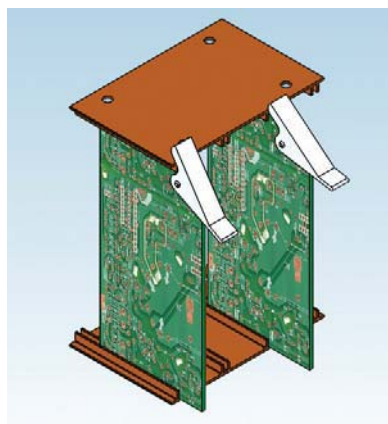
\*Available in UL94 V0 material  
by special order.

To order, replace -01 with -19.

### Features

- Curved tab provides fingertip grip for board insertion and removal

## RCP Card Ejector



All RCP Series Parts  
Mount Into Hole Below  
See Table for Panel  
Thicknesses Accepted

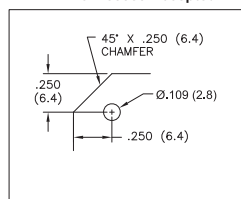


Fig. 1

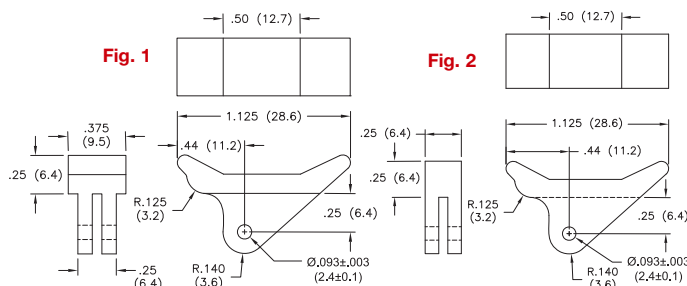


Fig. 3

Fig. 4

Fig. 5

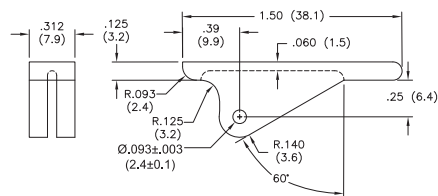
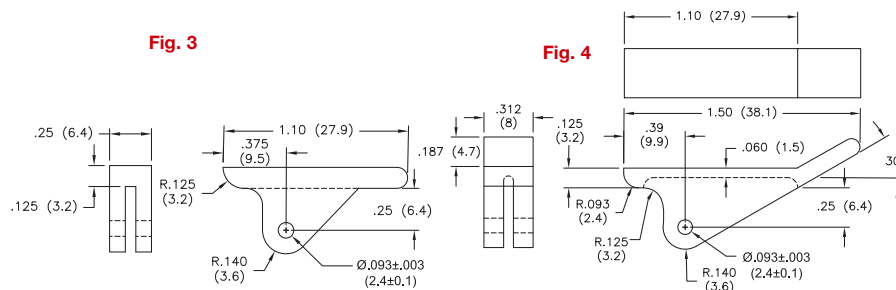
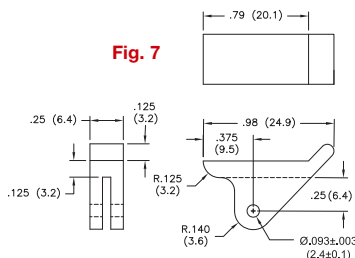
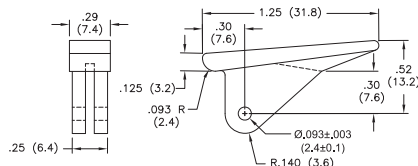


Fig. 6

Fig. 7



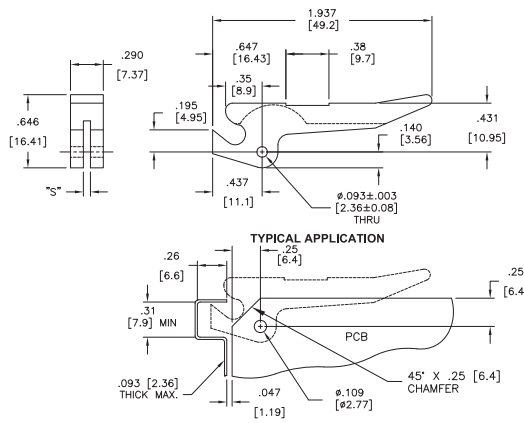
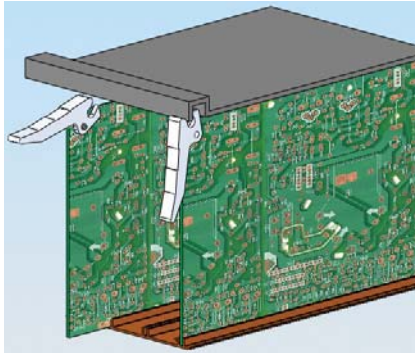
### Features

- Leverage against guide rack or chassis ejects the board
- Unique design gives superior gripping action
- Round roll pins (RRP) supplied with each ejector

RCP		Standard Pack: 500 per bag	
Mat'l: Nylon 6/6, RMS-48 Color: White	Card Thickness	Fig.	Roll Pin (RRP) Supplied
RCP-06	.062 (1.6)	1	RRP-250
RCP-09	.093 (2.4)	1	
RCP-26	.062 (1.6)	2	
RCP-36	.062 (1.6)	3	
RCP-46	.062 (1.6)	4	
RCP-56	.062 (1.6)	5	
RCP-66	.062 (1.6)	6	RRP-312
RCP-86	.062 (1.6)	7	
RCP-89	.093 (2.4)	7	

# CARD GUIDES & PULLERS

## R1001/R1002/R1003 Inserter/Extractor

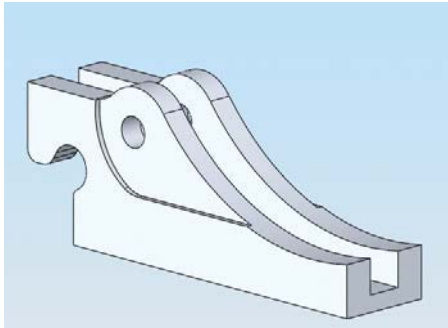


Material: Nylon 6/6, RMS-48 • Color: Natural		
Part No.	Standard Pack: 100 per bag	
	"S"	PCB Thickness
R1001-062	.075 (1.9)	.062 (1.6)
R1002-093	.100 (2.5)	.093 (2.4)
R1003-125	.140 (3.6)	.125 (3.2)
Roll Pin (RRP) Supplied: RRP-250		

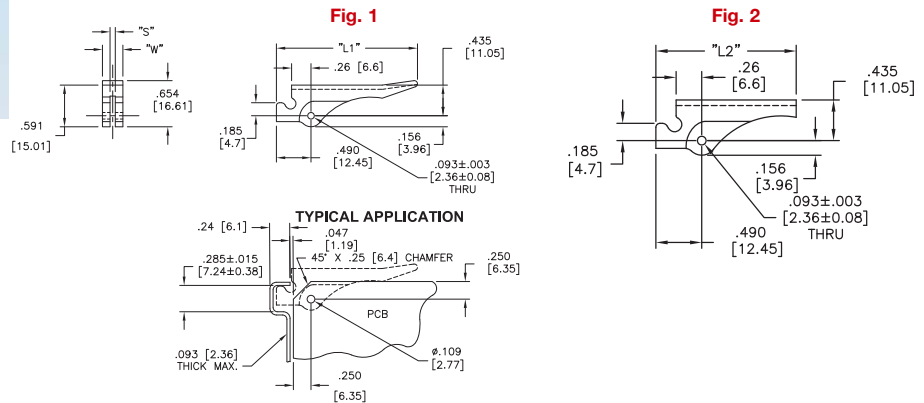
### Features

- All inserters/extractors this page supplied with Round Roll Pins (RRP)

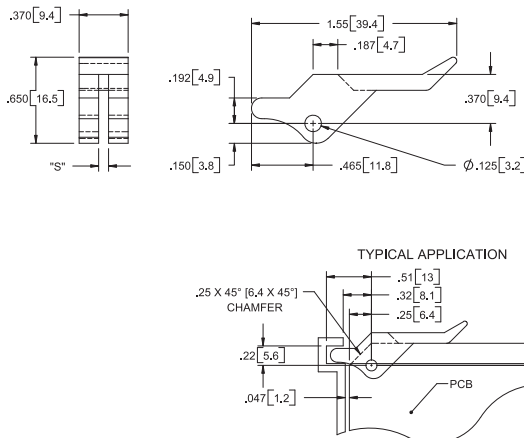
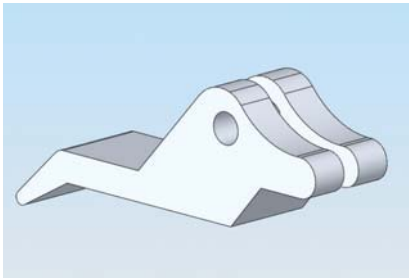
## R1107 Inserter/Extractor



Material: Glass Filled Nylon 11, RMS-222 Color: Natural							
Part No.	Standard Pack: 100 per bag				PCB Thickness	Fig.	Roll Pin (RRP) Supplied
	"S"	"W"	"L1"	"L2"			
R1107-062	.075 (1.9)	.29 (7.4)	2.0 (50.8)	-	.062 (1.6)	1	RRP-250
R11073-062	.075 (1.9)	.35 (8.9)			RRP-312		
R11073-093	.100 (2.5)	.35 (8.9)	-	1.5 (38.1)	.093 (2.4)	2	RRP-250
R110710-062	.075 (1.9)	.29 (7.4)			RRP-312		
R1107310-062	.075 (1.9)	.35 (8.9)	-	1.5 (38.1)	.062 (1.6)	2	RRP-250
R1107310-093	.100 (2.5)	.35 (8.9)			RRP-312		



## R1209 Inserter/Extractor



Material: Nylon 6/6, RMS-48 Color: Natural		
Part No.	Standard Pack: 100 per bag	
	"S"	PCB Thckns.
R1209-062	.075 (1.9)	.062 (1.6)
R1209-093	.100 (2.5)	.093 (2.4)
Roll Pin (RRP) Supplied: RRP-375		

# CARD GUIDES & PULLERS

## CBE Circuit Board Ejector

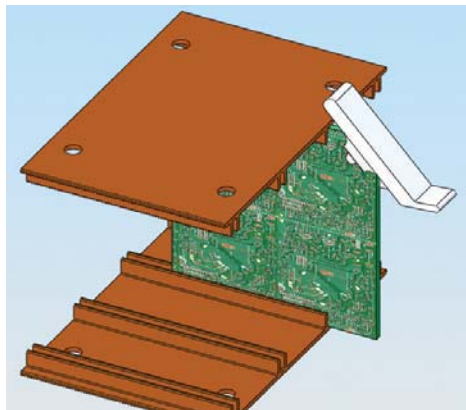


Fig. 2

Accepts PCB: .062 (1.6)

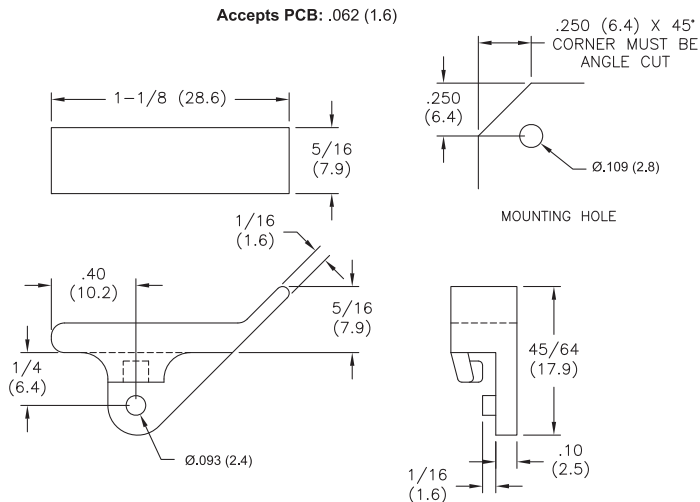
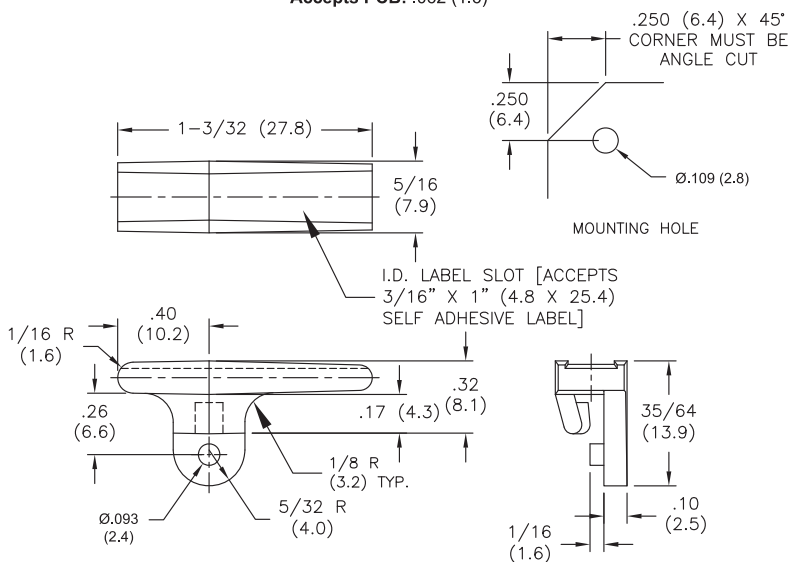


Fig. 1

Accepts PCB: .062 (1.6)



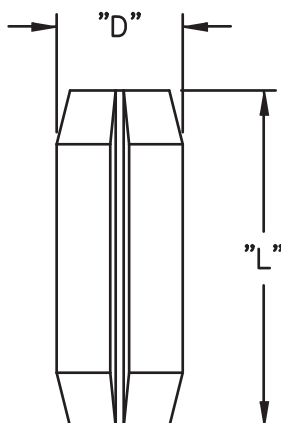
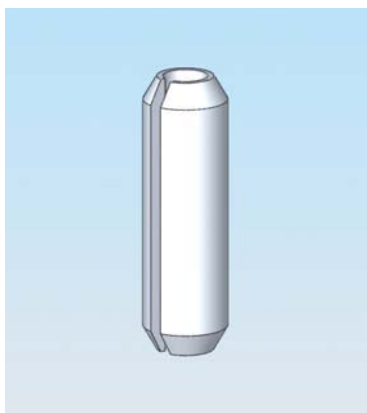
CBE		Standard Pack: 1,000 per bag
Mat'l: Nylon 6/6, RMS-01*	Color	Fig.
CBE-1	Natural	1
CBE-8		2
CBE-9	Green	
CBE-11	Black	

\*Available in UL94 VO material by special order.  
To order, add -19 to the end of the part number.

### Features

- Leverage against guide rack or chassis ejects the board

## RRP Round Roll Pins



### Features

- Used with Richco Inserters and Extractors

RRP		Standard Pack: 100 per bag
Mat'l: Passivated Stainless Steel per MIL-P-10971, RMS-224, Color: Silver	"D"	"L"
RRP-250	.093 (2.4)	.250 (6.4)
RRP-312	.093 (2.4)	.312 (7.9)
RRP-375	.125 (3.2)	.375 (9.5)

### Roll Pins for use with the following card ejectors, inserters/extractors:

RRP-250	RRP-312	RRP-375
RCP-06	RCP-46	R1209-062
RCP-09	RCP-56	R1209-093
RCP-26	R11073-063	
RCP-36	R11073-093	
RCP-66	R1107310-062	
RCP-86	R1107310-093	
RCP-89		
R1001-062		
R1002-093		
R1003-125		
R1007-062		
R110710-062		